



# **AD-50i**

# **Parts Manual**

---

**American Dryer Corporation**  
88 Currant Road  
Fall River MA 02720-4781 USA  
Telephone: +1 (508) 678-9000 / Fax: +1 (508) 678-9447  
e-mail: techsupport@amdry.com

[www.adclaundry.com](http://www.adclaundry.com)

# Retain This Manual In A Safe Place For Future Reference

American Dryer Corporation products embody advanced concepts in engineering, design, and safety. If this product is properly maintained, it will provide many years of safe, efficient, and trouble free operation.

**ONLY qualified technicians should service this equipment.**

**OBSERVE ALL SAFETY PRECAUTIONS** displayed on the equipment or specified in the installation manual included with the dryer.

The following “**FOR YOUR SAFETY**” caution must be posted near the dryer in a prominent location.

## FOR YOUR SAFETY

Do not store or use gasoline or other flammable vapors and liquids in the vicinity of this or any other appliance.

## POUR VOTRE SÉCURITÉ

Ne pas entreposer ni utiliser d'essence ni d'autres vapeurs ou liquides inflammables à proximité de cet appareil ou de tout autre appareil.

We have tried to make this manual as complete as possible and hope you will find it useful. ADC reserves the right to make changes from time to time, without notice or obligation, in prices, specifications, colors, and material, and to change or discontinue models.

## Important

For your convenience, log the following information:

DATE OF PURCHASE \_\_\_\_\_ MODEL NO. **AD-50i**  
RESELLER'S NAME \_\_\_\_\_  
Serial Number(s) \_\_\_\_\_  
\_\_\_\_\_  
\_\_\_\_\_

Replacement parts can be obtained from your reseller or the ADC factory. When ordering replacement parts from the factory, you can FAX your order to ADC at (508) 678-9447 or telephone your order directly to the ADC Parts Department at (508) 678-9000. Please specify the dryer model number and serial number in addition to the description and part number, so that your order is processed accurately and promptly.

The illustrations on the following pages may not depict your particular dryer exactly. The illustrations are a composite of the various dryer models. Be sure to check the descriptions of the parts thoroughly before ordering.

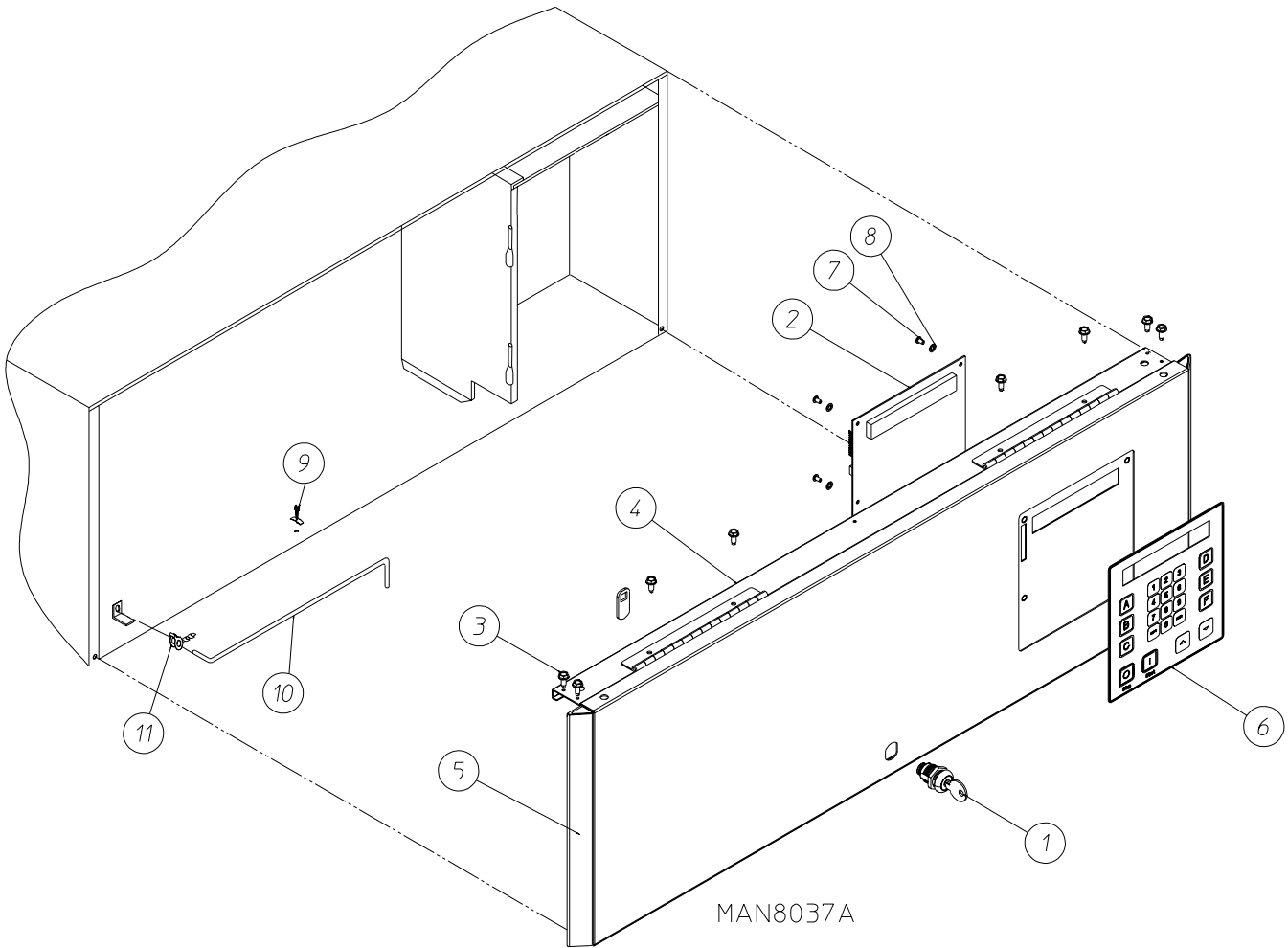
### **“IMPORTANT NOTE TO PURCHASER”**

Information must be obtained from your local gas supplier on the instructions to be followed if the user smells gas. These instructions must be posted in a prominent location near the dryer.

# Table of Contents

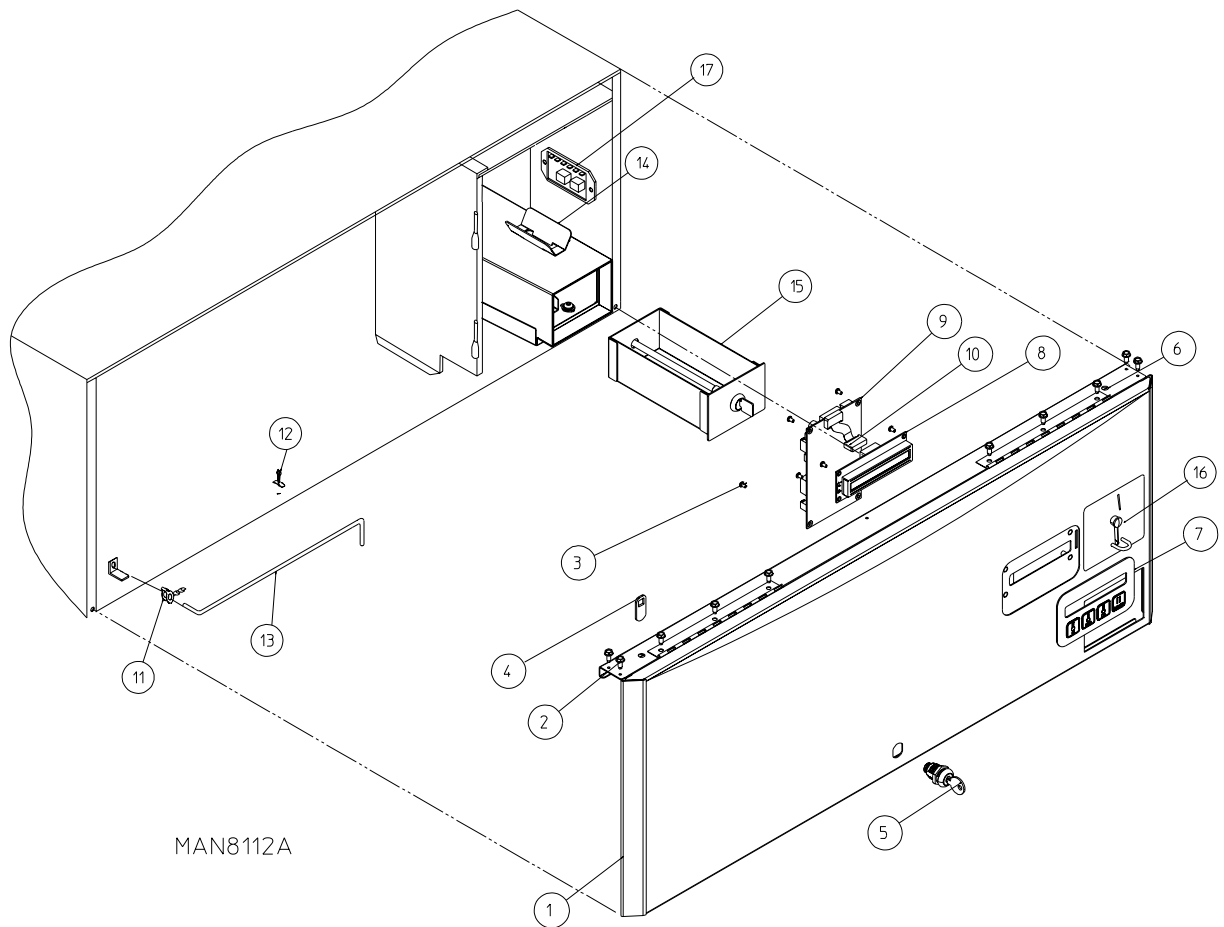
Non-Coin Control Door Assembly .....	4
Coin Control Door Assembly .....	5
Phase 7 Non-Coin Microprocessor Control Box Assembly .....	6
Front Panel Assembly .....	7
Main Door Assembly .....	8
Main Door Switch Assembly .....	9
Tumbler / Support Assemblies .....	10
Front Support Wheels .....	11
Lint Coop Sensor Assemblies .....	12
Lint Door Assembly .....	13
Lint Trap Assembly .....	14
Lint Door Support Assembly .....	15
Tumbler Bearing Assembly .....	16
Blower Motor Mount Assembly .....	17
Drive Motor Mount Assembly .....	18
Gas Burner Assembly .....	19
Gas Burner Box and Preheat Conduit .....	20
Electric Burner Assembly .....	21
Electric Oven Contactor Assembly .....	22
Electric Heat Terminal Block Panel .....	23
Steam Coil Assembly .....	24
Rear Electrical Panel Assembly .....	25
VFD and Sail Switch Assemblies .....	26
Outer Top / Back Guard Assemblies .....	27
Fire Suppression Assembly .....	28
Additional Parts Available .....	29

# Non-Coin Control Door Assembly



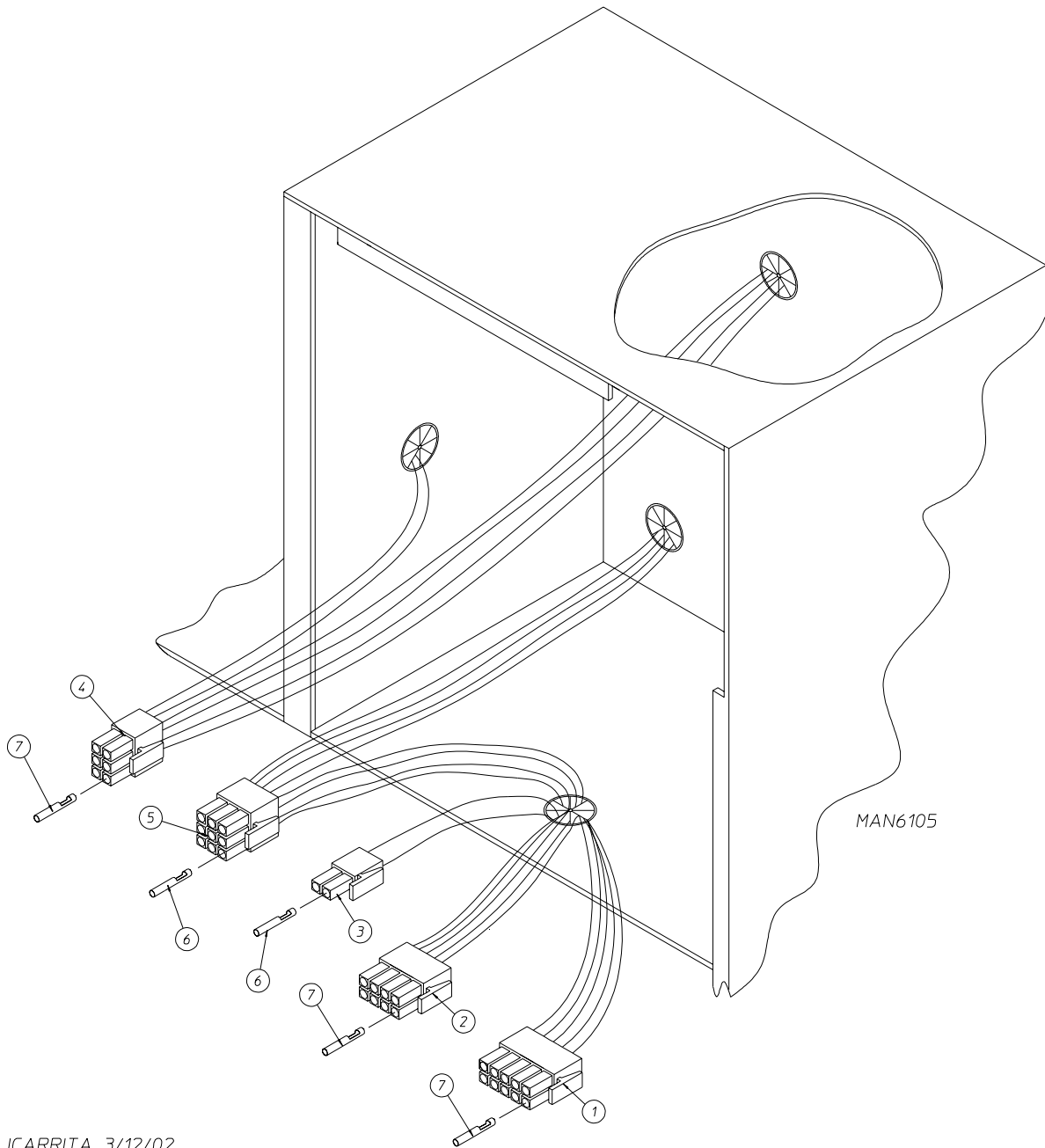
<u>Illus. No.</u>	<u>Part No.</u>	<u>Qty.</u>	<u>Description</u>
1	160015	1	Lock and Key
	160032	1	1" Straight Cam
2	884483	1	Phase 7.2 Non-Coin Computer with S.A.F.E. System Option
	884484	1	Phase 7.2 Non-Coin Computer without S.A.F.E. System Option
	136016	1	5-amp Fast Acting Computer Fuse
3	150300	8	#10-16 x 3/4" TORX PLUS® BTN Type 1
4	305243	1	Control Door Hinge Bracket
5	805220	1	Non-Coin Control Door (for models mfd. as of June 20, 2015)
	805065	1	Non-Coin Control Door with Graphics (for models mfd. prior to June 20, 2015)
6	112610	1	Phase 7.2 Non-Coin Keypad (blue)
7	150005	5	#6-32 x 1/4" Phillips Screw
8	153010	4	#6 Star Washer
9	102603	1	Control Door Rod Support Catch
10	102502	1	Control Door Support Rod
11	102601	1	Control Door Retainer Clip

# Coin Control Door Assembly



<u>Illus. No.</u>	<u>Part No.</u>	<u>Qty.</u>	<u>Description</u>
1	805218	1	Coin Stainless Steel Control Door (for models mfd. as of June 20, 2015)
	805071	1	Coin Stainless Steel Control Door with Graphics (for models mfd. prior to June 20, 2015)
2	150300	10	#10-16 x 1/2" Hex Washer TEK Screw
3	150005	8	#6-32 x 1/4" Phillips Round Head Machine Screw
4	160032	1	Straight 1" Cam
5	160015	1	MK-100 Lock with Hardware
6	305243	1	Control Door Hinge Bracket
7	112575	1	Phase 7 Keypad
8	137270	1	16" x 1" Large Character Display
9	887011	1	Phase 7 Coin Board (for models without S.A.F.E. System)
	887012	1	Phase 7 Coin Board (for models with S.A.F.E. System)
	136016	1	5-amp Fast Acting Computer Fuse
10	137250	1	Phase 7 Coin Ribbon Cable
11	102601	1	Control Door Rod Retainer Clip
12	102603	1	Control Door Rod Support Catch
13	102502	1	Control Door Support Rod
14	855117	1	Coin Vault Assembly
15	125917	1	Coin Box
16	817755	1	25¢ US Coin Acceptor
	805703	1	U.S. and Canadian Program Coin Acceptor
	830159	1	Euro Prog Coin Acceptor
	836108	1	Japan, Taiwan, and Chinese Program Coin Acceptor
17	132198	1	Reversing Timer

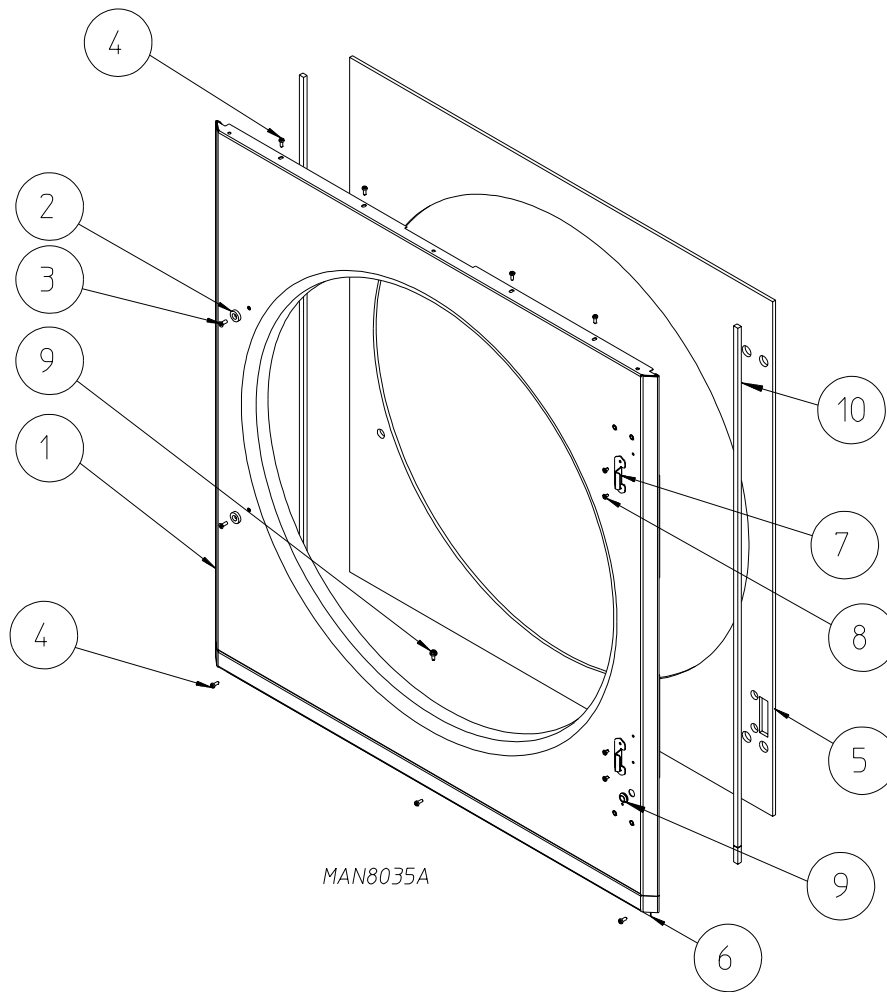
# Phase 7 Non-Coin Microprocessor Control Box Assembly



JCARRITA 3/12/02

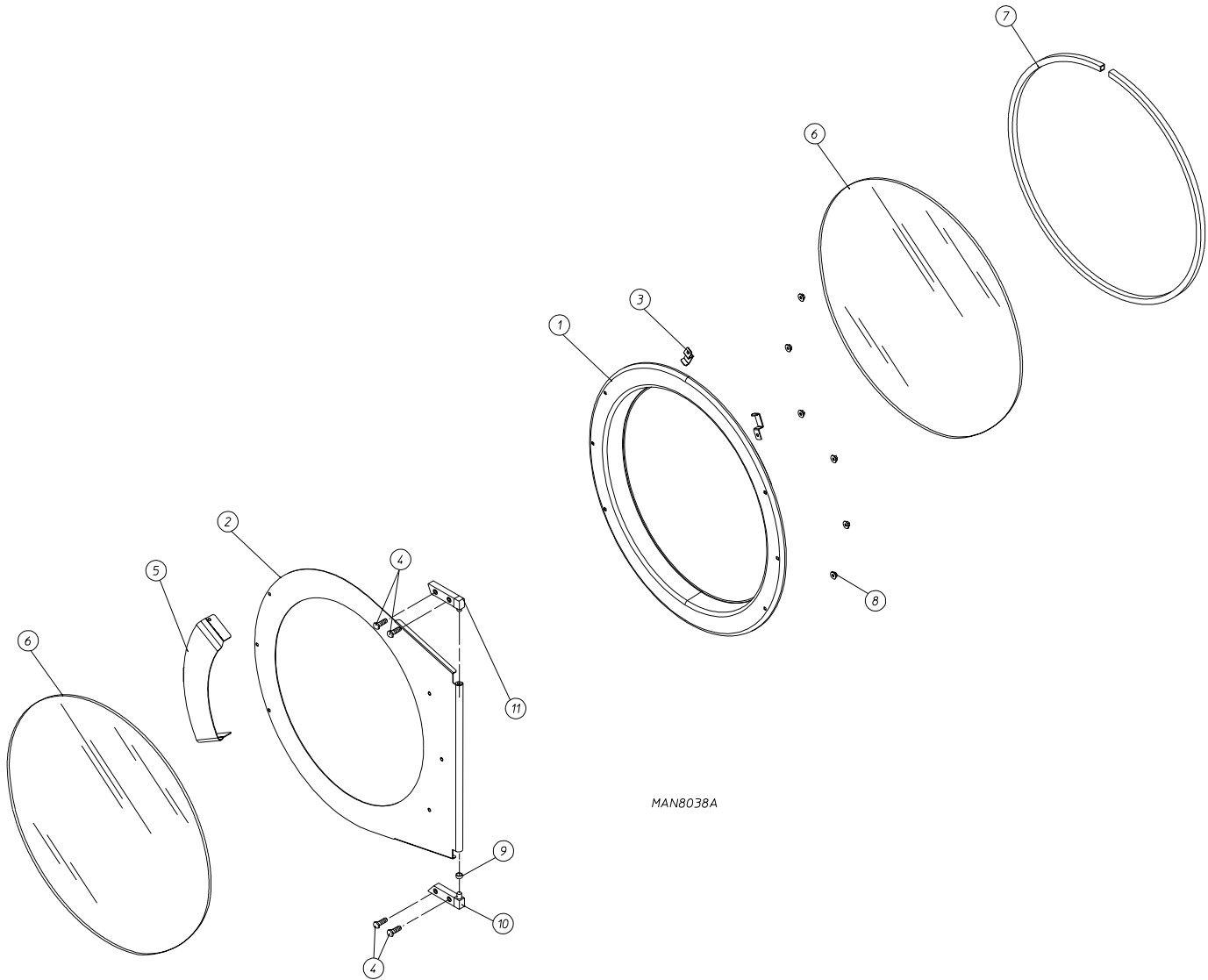
Illus. No.	Part No.	Qty.	Description
1	122681	1	10-Pin Connector
2	122676	1	8-Pin Connector
3	122646	1	2-Pin Connector
4	122683	1	6-Pin Terminal
5	122640	1	9-Pin Terminal
6	122706	*	#20-16 U.M.N.L. Socket
7	122669	*	Female Crimp Terminal

\* As needed.



<u>Illus. No.</u>	<u>Part No.</u>	<u>Qty.</u>	<u>Description</u>
1	855129	1	Front Panel Assembly (for models mfd. as of June 20, 2015)
	805100	1	Front Panel Assembly (for models mfd. between April 21, 2014 and June 20, 2015) (includes illus. nos. 1 through 10)
	805068	1	Front Panel Assembly (for models mfd. prior to April 21, 2014) (includes illus. nos. 1 through 10)
	805067	1	Front Panel ONLY
2	102004	2	Compact Door Magnet
3	152223	2	#10-32 x 1/2" Machine Screw
4	150331	10	#8-18 x 1/2" Pan Head TORX® Screw
5	116359	1	Front Panel Insulation
6	305258	1	Front Panel Reversible Button Trim (for models mfd. as of June 20, 2015)
	305327	1	Front Panel Reversible Bottom Trim (for models mfd. between April 21, 2014 and June 20, 2015)
	305287	1	Front Panel Reversible Bottom Trim (for models mfd. prior to April 21, 2014)
7	335508	2	Door Stop
8	154205	4	5/32" x 1/4" Stainless Steel Rivet
9	121401	1	Rubber Grommet
10	117617	4	Foam Gasket (sold by the foot)

# Main Door Assembly

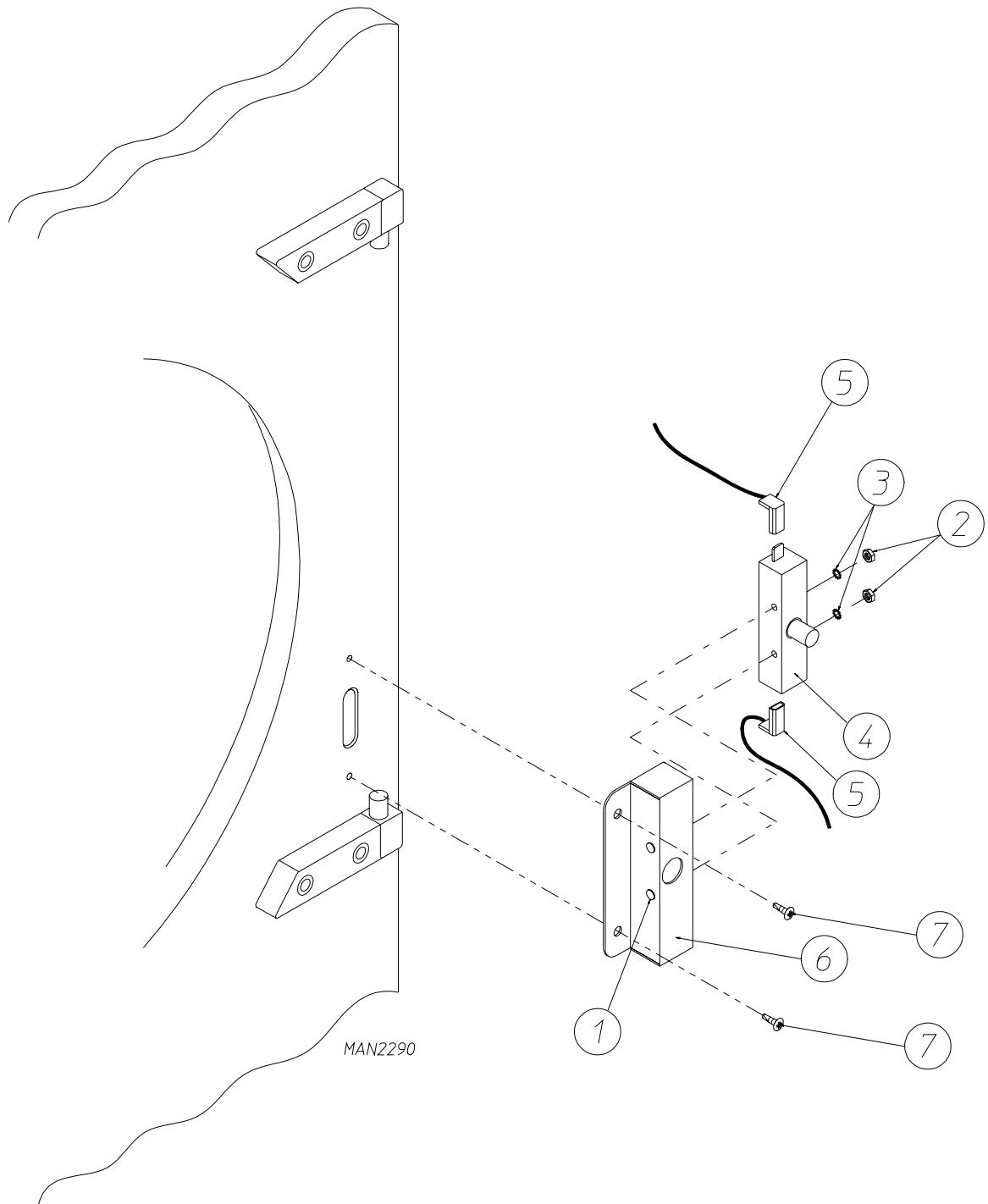


MAN8038A

<u>Illus. No.</u>	<u>Part No.</u>	<u>Qty.</u>	<u>Description</u>
1	805048	1	Main Door Assembly Complete (includes illus. nos. 1 through 8)
	805033	1	Main Door Ring Assembly (includes illus. nos. 1, 6, and 7)
2	805046	1	Door Outer Skin Assembly (includes illus. nos. 2 and 6)
3	319298	2	Magnet Bracket
4	150445	4	1/4-20 x 3/4" Black Cap Head Setscrew
5	805037	1	Door Handle Assembly
6	185498	2	Main Door Glass
	401038	1	Black Glass Adhesive (10.3 oz. cartridge)
7	882411	1	Door Gasket
	401038	1	Black Gasket Adhesive (10.3 oz. cartridge)
8	152014	8	1/4-20 Free Spin Wash Nut
9	153031	1	1/4" Nylon Washer
10	881151	1	Black Bottom Hinge Block Assembly (includes illus. nos. 4, 9, and 10)
11	881152	1	Black Top Hinge Block Assembly (includes illus. nos. 4 and 11)

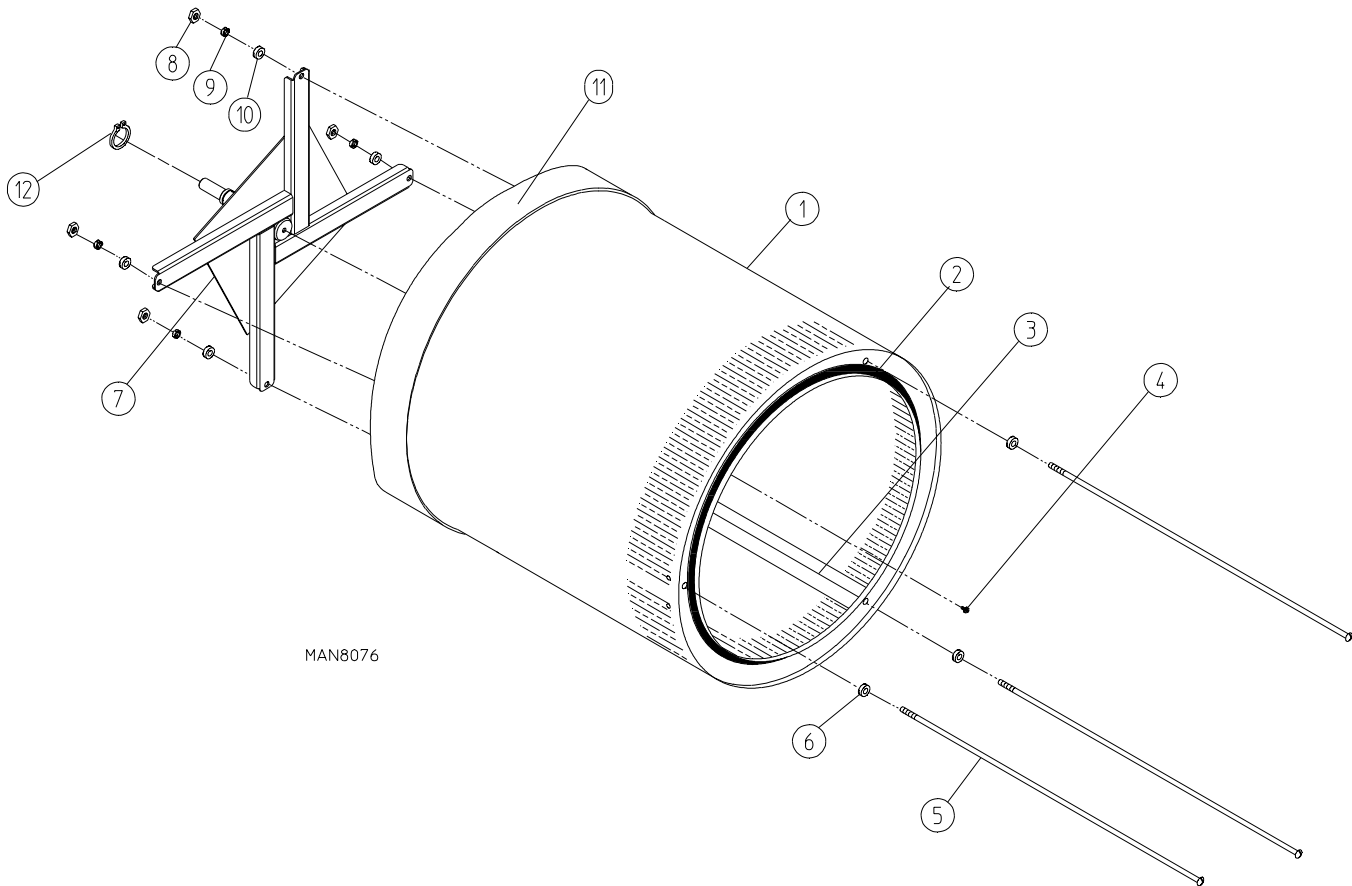


# Main Door Switch Assembly



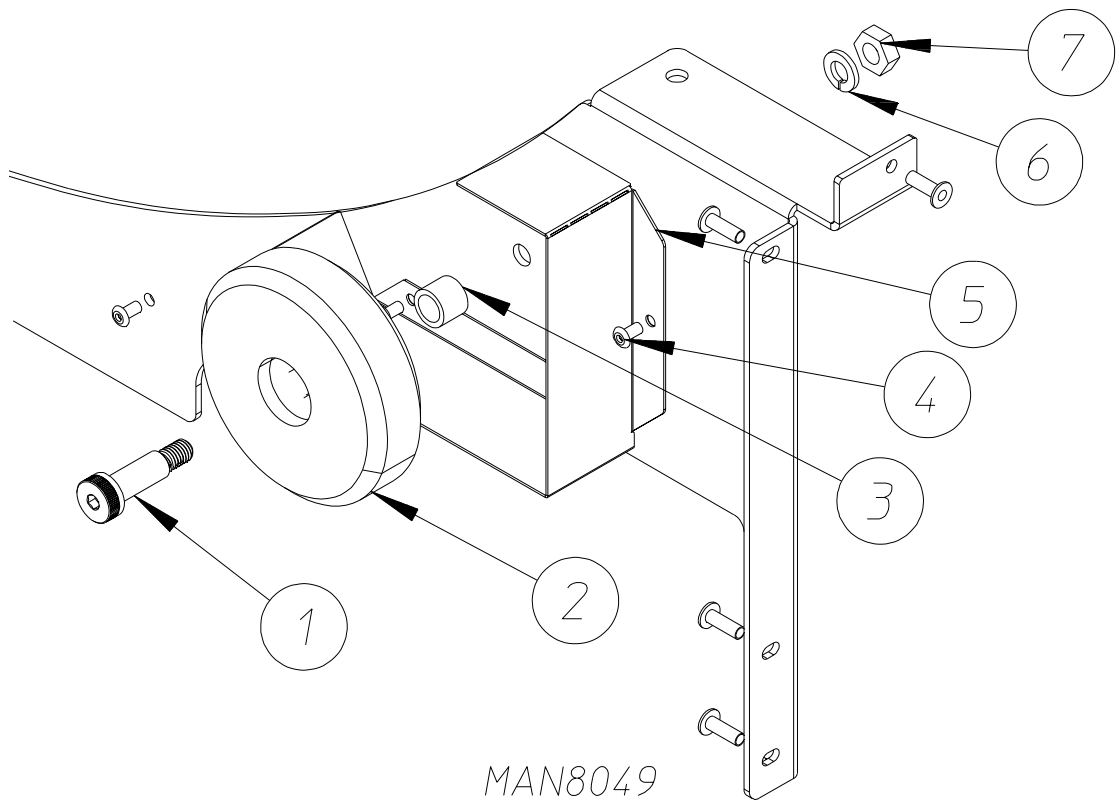
<u>Illus. No.</u>	<u>Part No.</u>	<u>Qty.</u>	<u>Description</u>
1	150006	2	#6-32 x 7/8" Phillips Pan Head Machine Screw
2	152013	2	#6-32 Hex Nut
3	153010	2	#6 Star Washer
4	137005	1	Door Switch
5	122636	2	Flag Terminal
6	881211	1	Black Main Door Switch Housing ONLY
	881153	1	Black Main Door Switch Housing Complete (includes illus. nos. 1 through 4 and 6)
7	150301	2	#8-18 x 7/16" Phillips Pan Head TEK Screw

# Tumbler / Support Assemblies



MAN8076

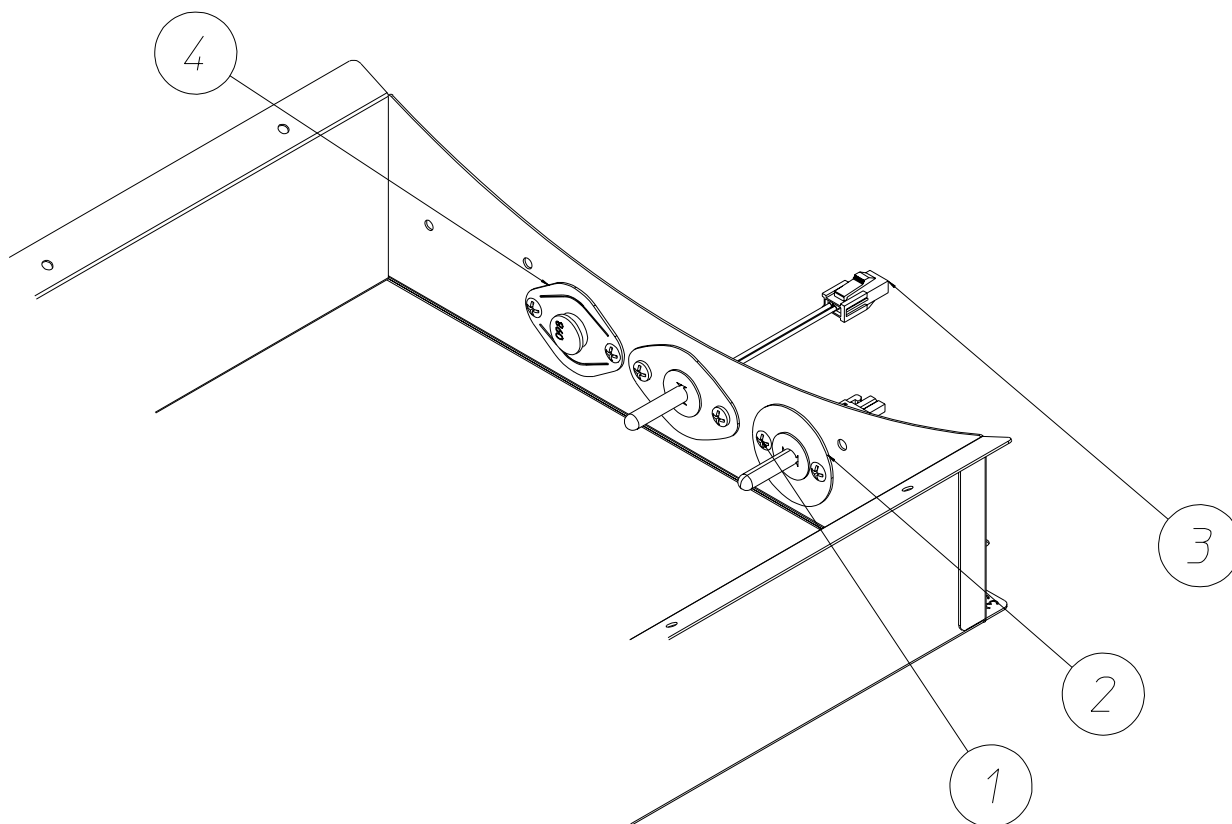
Illus. No.	Part No.	Qty.	Description
1	805044	1	Stainless Steel Tumbler / Support Assembly (includes illus. nos. 1 through 12)
2	115930	1	Front Felt Collar
3	305205	4	Stainless Steel Tumbler Rib
4	150407	1	5/16-18 x 3/4" Socket Button Head Screw
5	100903	4	3/8-16 x 38-1/2" Tie Rod
6	153004	4	3/8" Flat Washer
7	805001	1	Tumbler Support
8	152027	4	3/8-16 Hex Nylon Insert Lock Nut
9	153005	4	3/8" Lock Washer
10	153004	4	3/8" Flat Washer
11	115929	1	Rear Felt Collar
—	401010	1	#847 Adhesive for Felt Collar (5.0 oz. tube)
12	100812	1	1-3/8" Retaining Clip



<u>Illus. No.</u>	<u>Part No.</u>	<u>Qty.</u>	<u>Description</u>
1	154264	2	#10-M8 x 25 mm Shoulder Screw Black Oxide
2	180060	2	Tumbler Wheel
3	154284	2	Tumbler Wheel Spacer
4	154200	-	5/32" Pop Rivet
5	305224	1	Right Wheel Guard
	305223	1	Left Wheel Guard
6	153002	2	5/16" Lock Washer
7	154013	2	M8 Hex Nut

# Lint Coop Sensor Assemblies

---

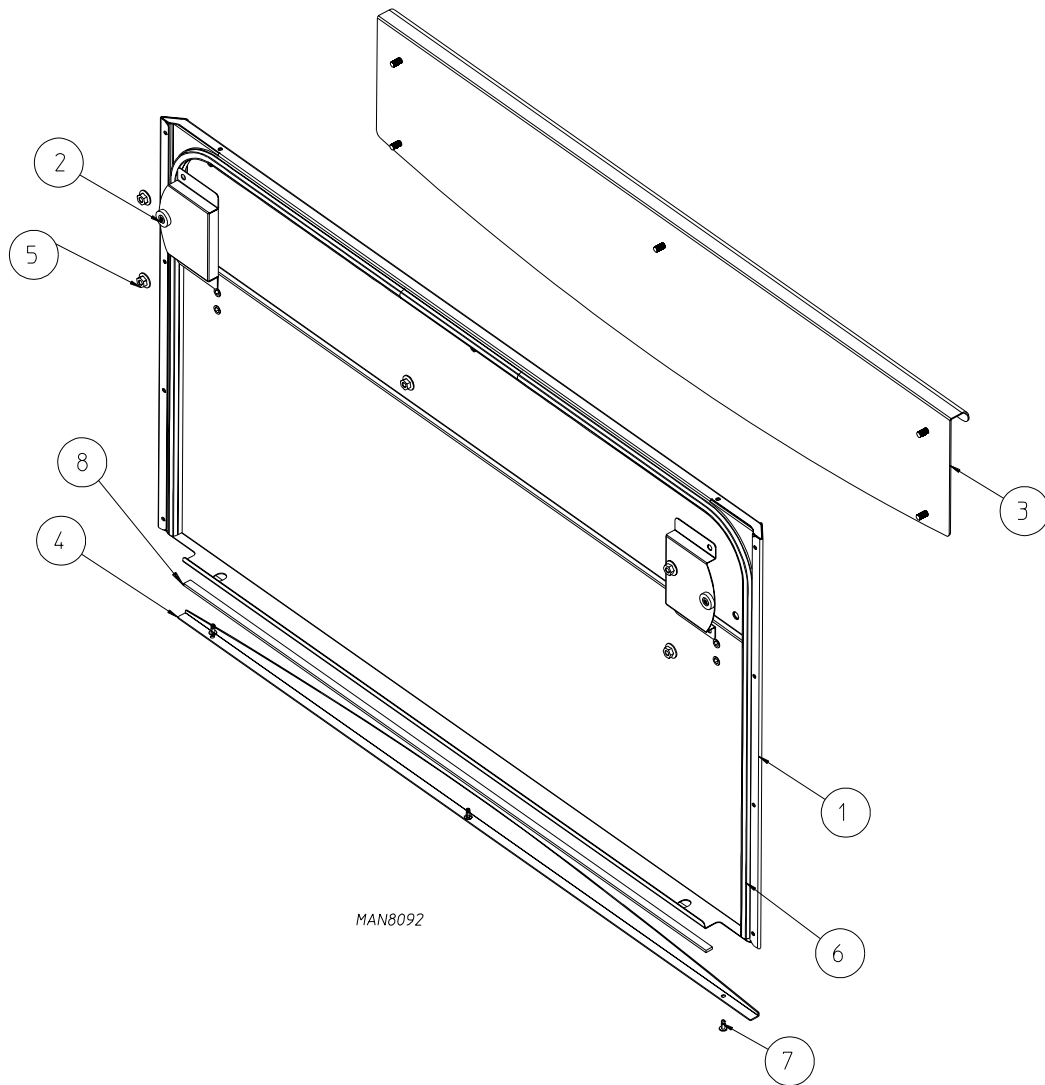


MAN8040

---

<u>Illus. No.</u>	<u>Part No.</u>	<u>Qty.</u>	<u>Description</u>
1	150301	6	#8-18 x 7/16" Phillips Pan Head TEK Screw
2	819188	1	Variable Speed Temperature Sensor Assembly
3	833522	1	1/4" Exhaust Temperature Sensor Probe Assembly
4	130098	1	190° Hi-Limit Thermostat

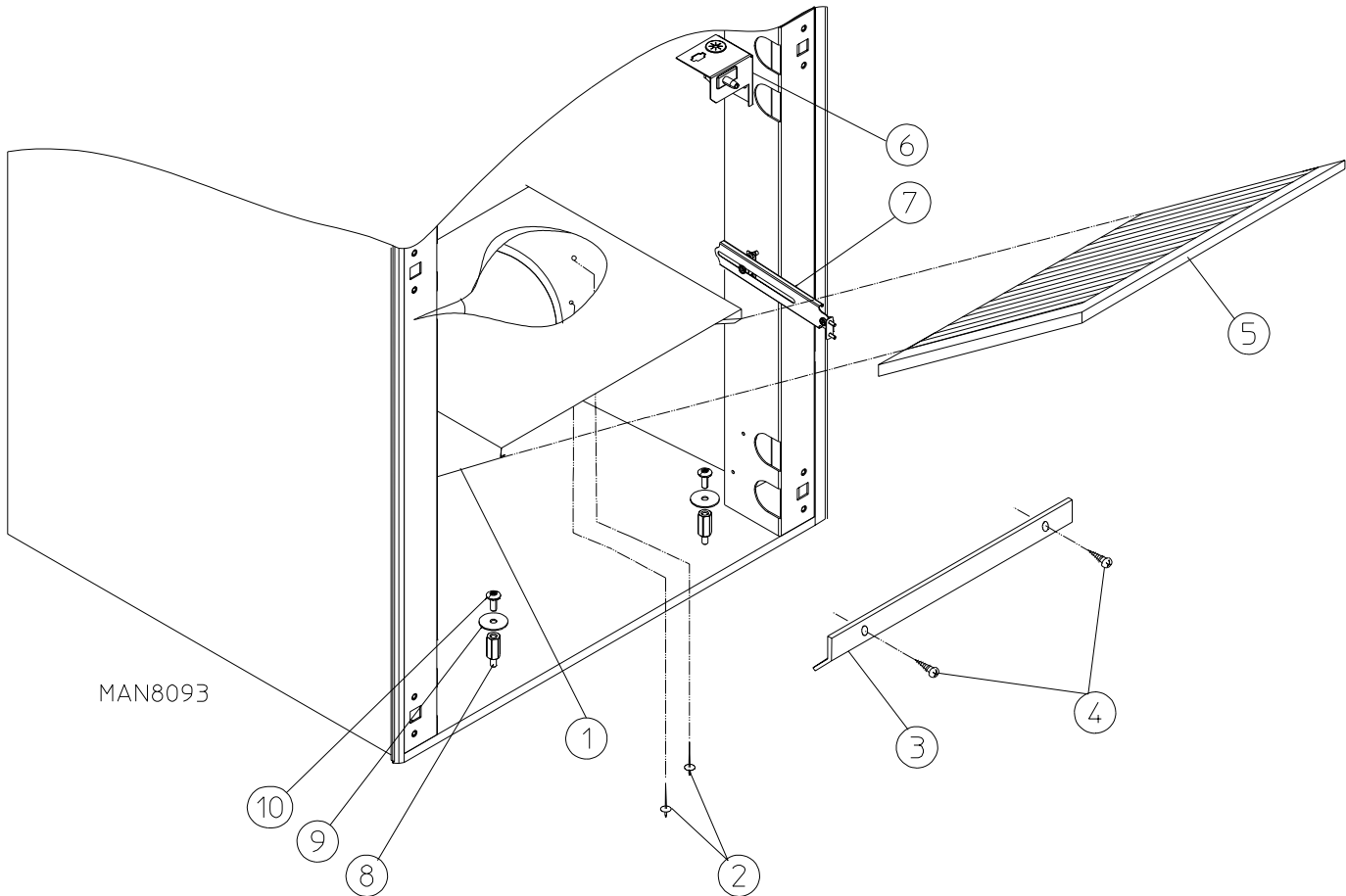
---



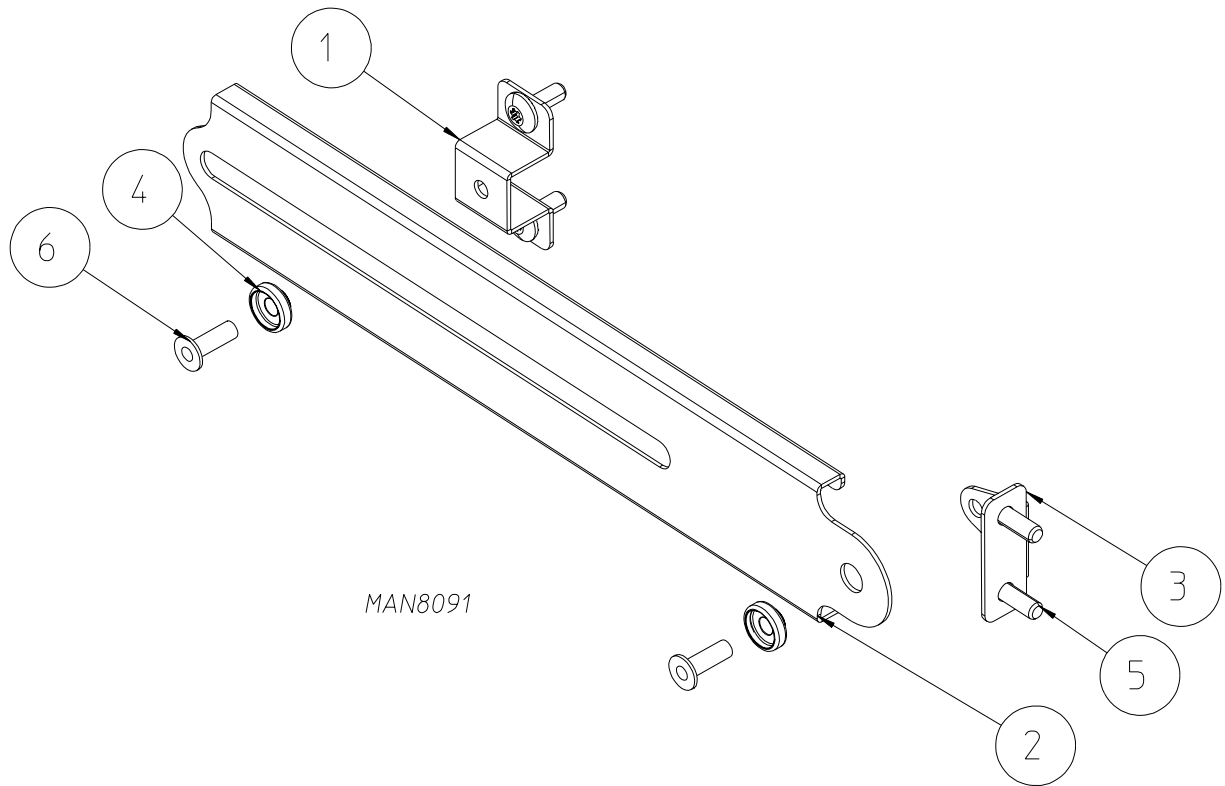
MAN8092

<u>Illus. No.</u>	<u>Part No.</u>	<u>Qty.</u>	<u>Description</u>
1	855131	1	Stainless Steel Drop Lint Door Assembly (for models mfd. as of June 20, 2015)
	805098	1	Stainless Steel Drop Lint Door Assembly (for models mfd. between April 21, 2014 and June 20, 2015) (includes illus. nos. 1 through 8)
	805062	1	Stainless Steel Drop Lint Door Assembly (for models mfd. prior to April 21, 2014) (includes illus. nos. 1 through 8)
2	835650	2	Lint Door Magnet Catch and Lint Switch Actuator
3	855130	1	Drop Lint Door Handle Stud Assembly (for models mfd. as of June 20, 2015)
	805097	1	Drop Lint Door Handle Stud Assembly (for models mfd. between April 21, 2014 and June 20, 2015)
	805061	1	Drop Lint Door Handle Stud Assembly (for models mfd. prior to April 21, 2014)
4	305285	1	Drop Lint Door Bottom Trim
5	152014	5	1/4-20 Serrated Hex Flange Nut
6	102420	74	.375 Rubber Gasket (sold by the inch)
7	154205	3	5/32" x 1/4" Stainless Steel Rivet
8	117604	3	.375 x .125 Neo Sponge Tape

# Lint Trap Assembly

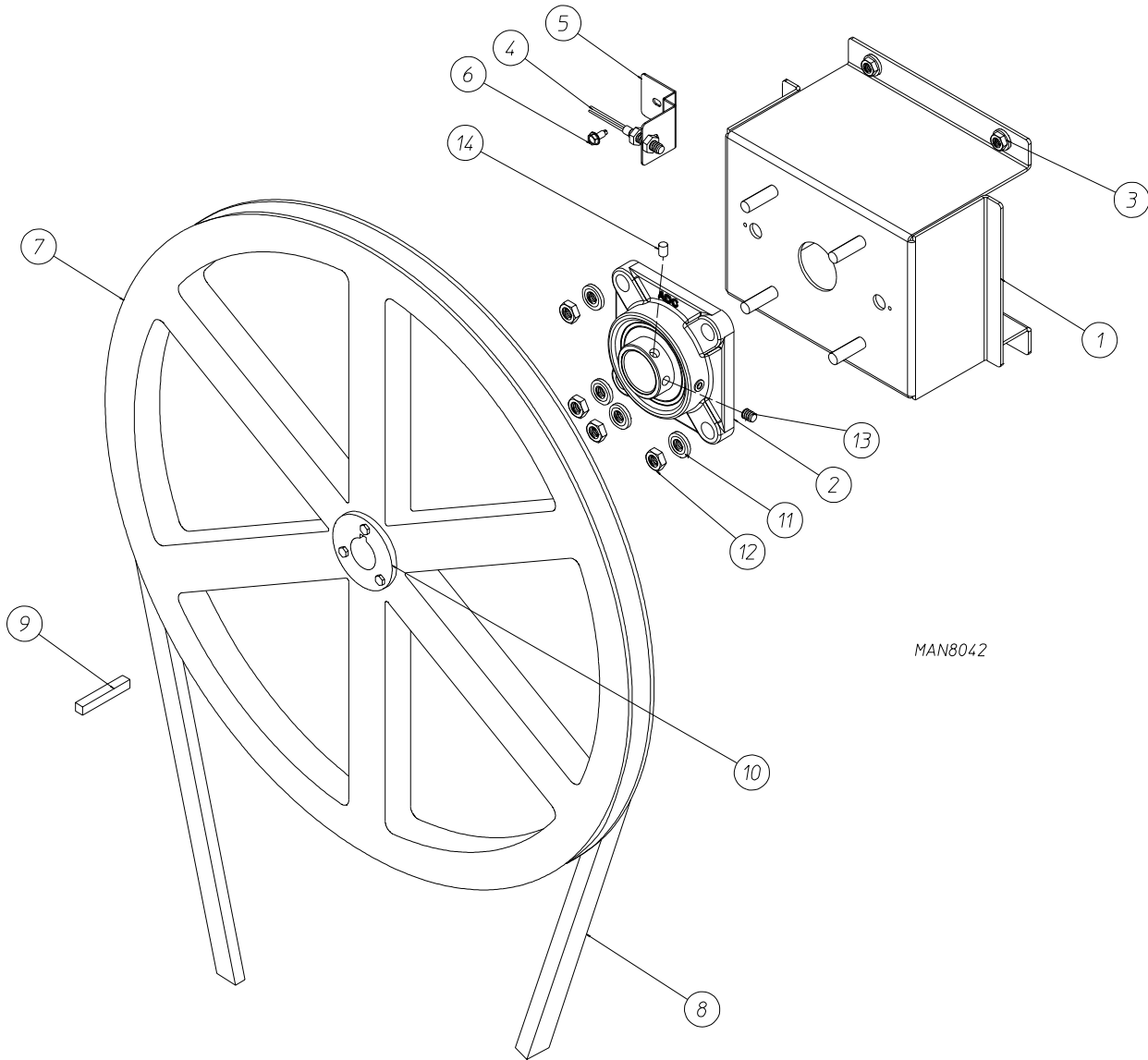


Illus. No.	Part No.	Qty.	Description
1	817725	1	Lint Trap Assembly Complete (includes illus. nos. 1 and 3 through 5)
	817726	1	Lint Trap ONLY
2	154210	8	5/32" Pop Rivet
3	317155	1	Lint Screen Holder ONLY
4	150300	4	#10-16 x 1/2" Hex Washer TEK Screw
5	800506	1	Lint Screen Assembly
6	835571	1	Lint Switch Bracket Assembly
	122116	1	Lint Switch ONLY
7	_____	1	Lint Door Support Assembly (Parts Breakdown on <a href="#">page 15</a> )
8	154024	2	#10-32 x 3/4" Standoff
9	153049	2	.875 OD Washer
10	183129	2	#10-32 x 1/2" TORX® Head Machine Screw



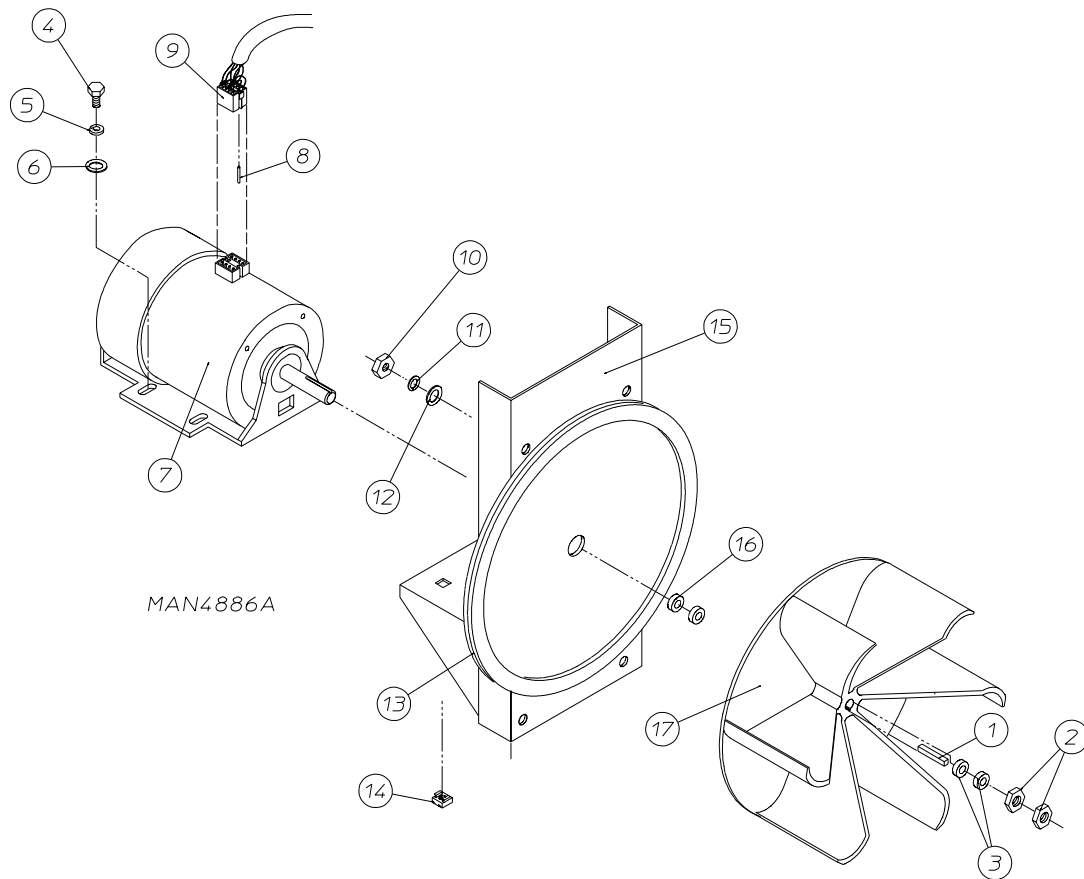
Illus. No.	Part No.	Qty.	Description
1	335551	1	Drop Lint Door Support Mount
2	335549	1	Drop Lint Door Support Slide Arm
3	335550	1	Drop Lint Door Support Bracket
4	183008	2	Keyhole Button
5	183129	4	#10-32 x 1/2" TORX® Truss Head Machine Screw
6	154220	2	3/16" Pop Rivet

# Tumbler Bearing Assembly



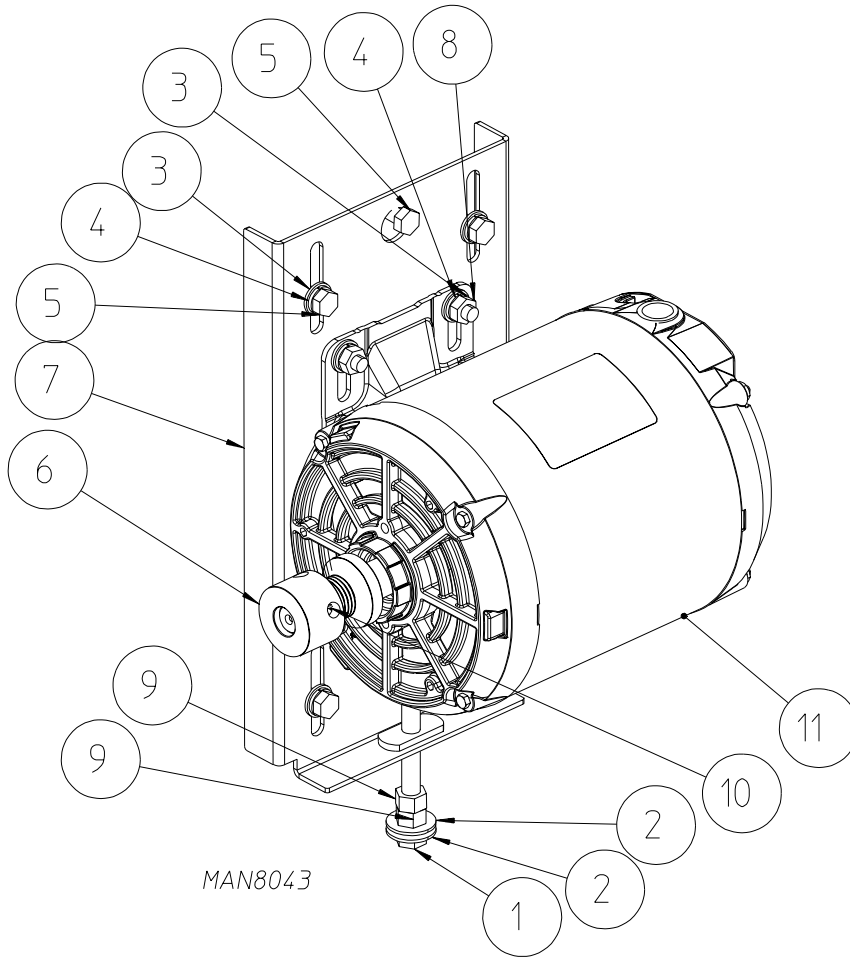
<u>Illus. No.</u>	<u>Part No.</u>	<u>Qty.</u>	<u>Description</u>
1	805022	1	1-3/4" Flange Bearing Mount (includes illus. nos. 1 and 3)
2	884485	1	1-3/8" Flange Bearing Assembly (includes illus. nos. 2, 13, and 14)
3	152038	4	5/16-18 Hex Serrated Flange Nut
4	822735	1	Rotation Sensor
5	835596	1	Rotation Sensor Assembly (includes illus. nos. 4 through 6)
6	150300	1	#10-16 x 1/2" Hex Washer TEK
7	101255	1	19" 10 Groove Pulley
8	102427	1	10 Rib J-Belt
9	100704	1	1/4" x 1/4" x 1-3/4" Key
10	101107	1	1" Bushing
11	153005	4	3/8" Lock Washer
12	152005	4	3/8-16 Hex Nut
13	154321	2	Setscrew
14	170608	1	0.25 x 0.25 Magnet



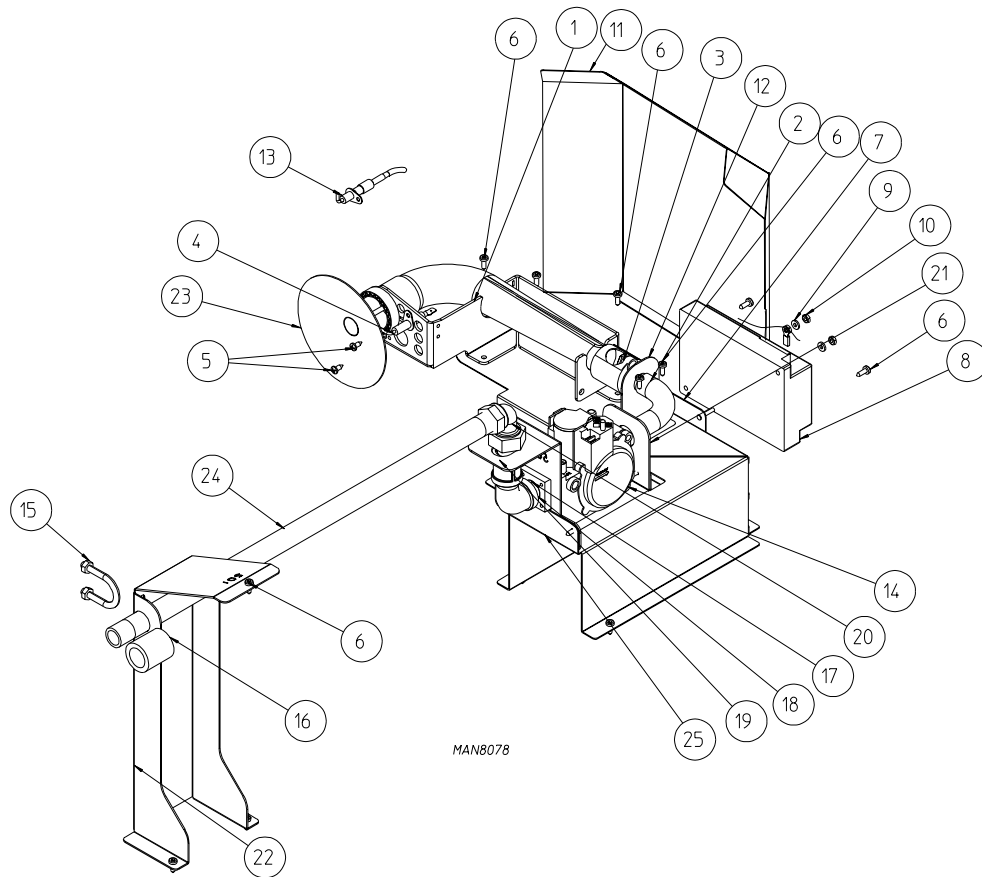


Illus. No.	Part No.	Qty.	Description
1	100702	1	1/8" x 1/8" x 1-1/2" Key
2	152006	2	1/2-20 Left-Hand Jam Nut
3	153050	2	1/2" S.A.E. Flat Washer
4	150501	4	5/16-18 x 3/4" Tap Bolt
5	153002	4	5/16" Lock Washer
6	153001	4	5/16" Flat Washer
7	100075	1	1 hp 208-480V 3ø Motor
	100069	1	3/4 hp 120-240V 1ø 60 Hz Fan Motor with Plug
	100068	1	3/4 hp 240V 1ø 50 Hz Fan Motor with Plug
8	122701	8	Socket Terminal ONLY (1ø motor only)
	122801	1	Pin / Socket Extraction Tool
9	137030	1	8-Pin Housing Connector (1ø motor only)
10	152004	4	5/16-18 Hex Nut
11	153002	4	5/16" Lock Washer
12	153001	4	5/16" Flat Washer
13	117600	4	Noise Suppressor Tape (sold by the foot)
14	154000	4	5/16-18 Tinnerman Nut
15	803561	1	Motor Mount ONLY (56Z frame)
	817779	1	1 hp 208-480V 3ø Fan Motor Mount Assembly Complete
	817758	1	3/4 hp 208-240V 1ø 60 Hz Fan Motor Mount Assembly Complete with Plug Motor
	817710	1	3/4 hp 240V 1ø 50 Hz Fan Motor Mount Assembly Complete with Plug Motor
	817840	1	1 hp 208-416V 3ø 50 Hz Fan Motor Mount Assembly Complete
16	153050	2	1/2" S.A.E. Flat Washer
17	812019	1	15" Impellor with 3/4" Bore (for 3ø 60 Hz machines)
	817762	1	15" Impellor with 1/2" Bore (for 1ø 60 Hz)
	822364	1	16" Impellor with 1/2" Bore (for 1ø 50 Hz machines)
	817839	1	16" Impellor 3/4" Bore (for 3ø 50 Hz machines)

# Drive Motor Mount Assembly

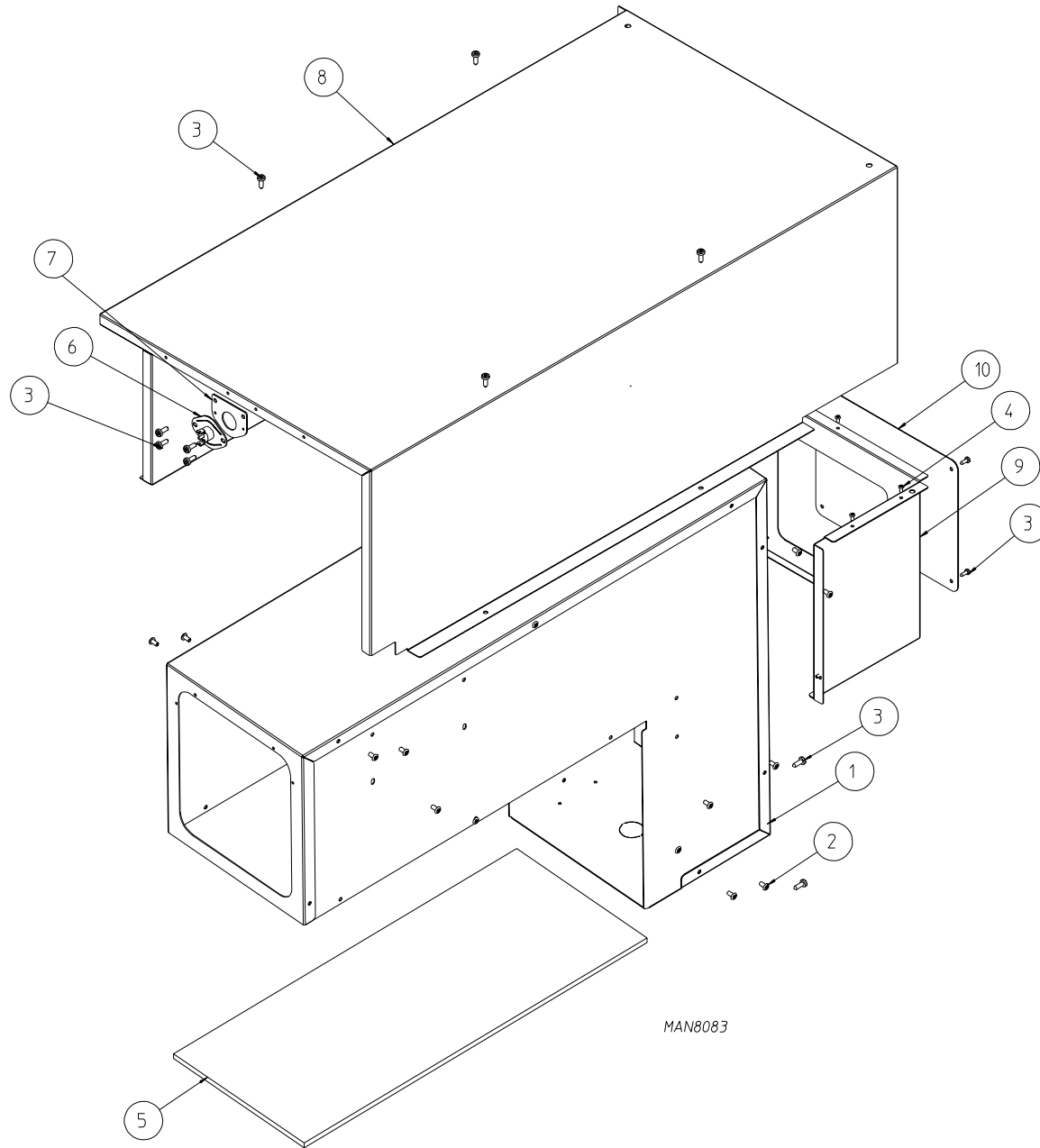


<u>Illus. No.</u>	<u>Part No.</u>	<u>Qty.</u>	<u>Description</u>
1	150619	1	3/8-16 x 3" Hex Head Tap Bolt
2	153004	2	0.375 Flat Washer
3	153001	8	5/16 Flat Washer
4	153002	8	5/16" Lock Washer
5	150501	5	5/16-18 x 3/4" Hex Head Machine Bolt
6	317629	1	Motor Sheave (for models mfd. as of September 10, 2014)
	305278	1	Motor Sheave (for models mfd. between March 7, 2014 and September 10, 2014)
	317138	1	Motor Sheave (for models mfd. prior to March 7, 2014)
7	817836	1	Drive Motor Carriage (for models mfd. as of September 10, 2014)
	835585	1	Drive Motor Carriage (for models mfd. prior to September 10, 2014)
8	152004	4	5/16-18 Hex Nut
9	152005	2	3/8-16 Hex Nut
10	154321	1	5/16-24 x 3/8" Alan Setscrew
11	181199	1	1 hp 208-230/460V 50/60 Hz 6 Pole Motor (for models mfd. as of September 10, 2014)
	181198	1	1 hp 208-230/460V 50/60 Hz 6 Pole Motor (for models mfd. prior to September 10, 2014)

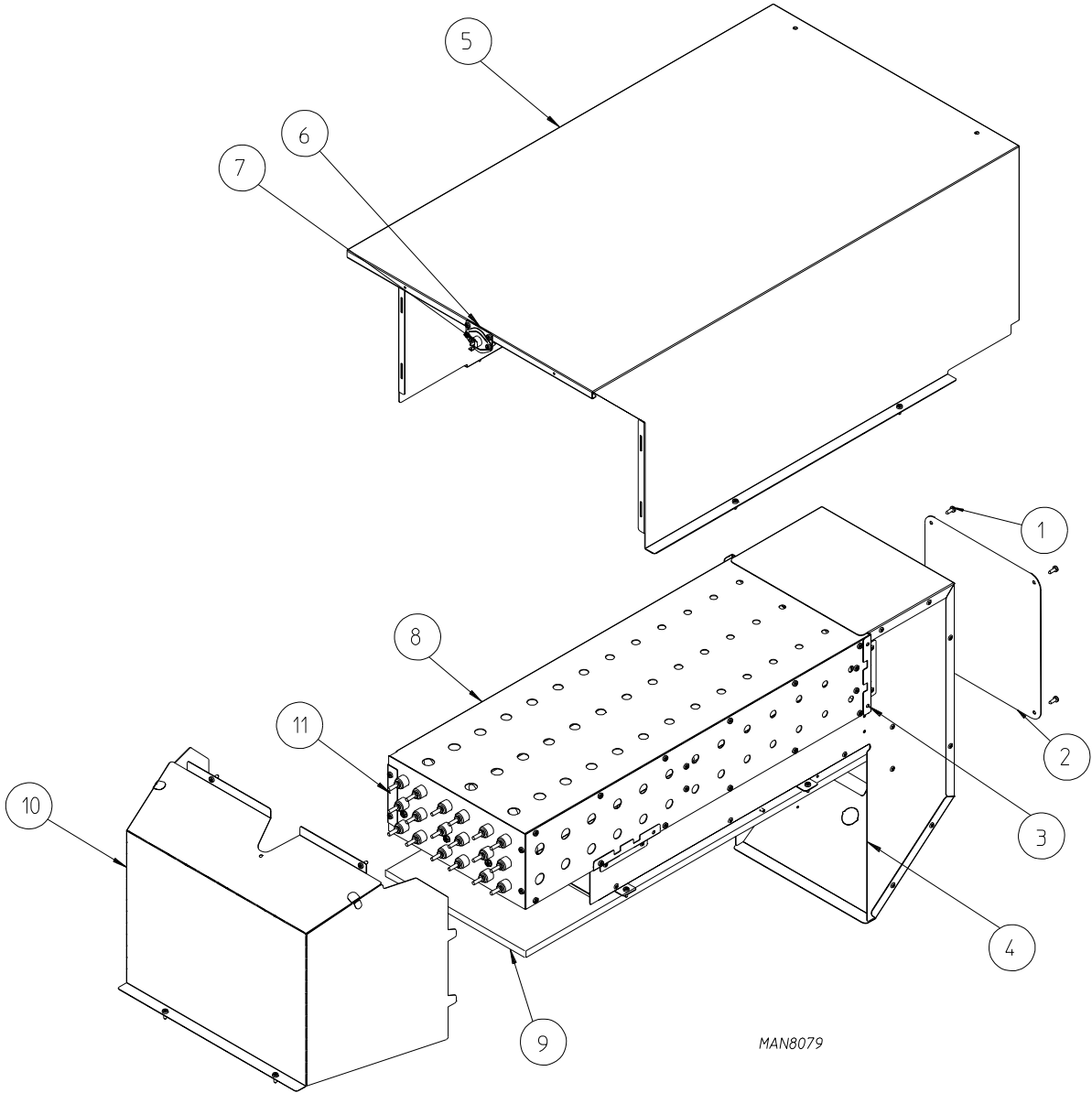


Illus. No.	Part No.	Qty.	Description
1	312644	1	Burner Tube Mounting Bracket
2	141238	1	1/2" x 90° Burner Manifold
3	140834	1	#5 Burner Orifice for Natural Gas
	140819	1	#30 Burner Orifice for Liquid Propane Gas
	884500	1	AD-50i L.P. Kit
4	128918	1	Flame Sensor
5	150301	4	#8-18 x 7/16" Phillips Pan Head TEK Screw
6	150331	16	#8-18 x 1/2" Pan Head TORX® Screw
7	812625	1	Gas Module Mounting Plate Studded Assembly
8	887133	1	DSI Module 3 Tries
9	153017	2	#6 SAE Washer
10	152013	2	#6-32 Hex Nut
11	817740	1	Heat Deflector Assembly
12	312651	1	Gas Manifold Bracket
13	128902	1	Ignitor with 36" Noise Suppression Cable
14	128979	1	Gas Valve 24V 50/60 Hz
15	154355	1	U-Bolt for 1/2" Pipe with Nuts
16	142935	1	1/2" B.S.P.T. x 1/2" N.P.T. Transition Coupling (for 50 Hz models only)
17	142700	1	1/2" Close Nipple
18	142506	1	0.5 x 0.5 Street Elbow Black Iron
19	143001	1	1/2" Black Iron Coupling
20	141317	1	1/2" Bronze Union Elbow
21	305274	1	Gas Valve Mounting Bracket
22	305232	1	Gas Pipe Bracket
23	141131	1	Burner Tube
24	142956	1	0.5 N.P.T. x 20.62" Black Iron Pipe
25	305229	1	Gas Train Mounting Channel

# Gas Burner Box and Preheat Conduit



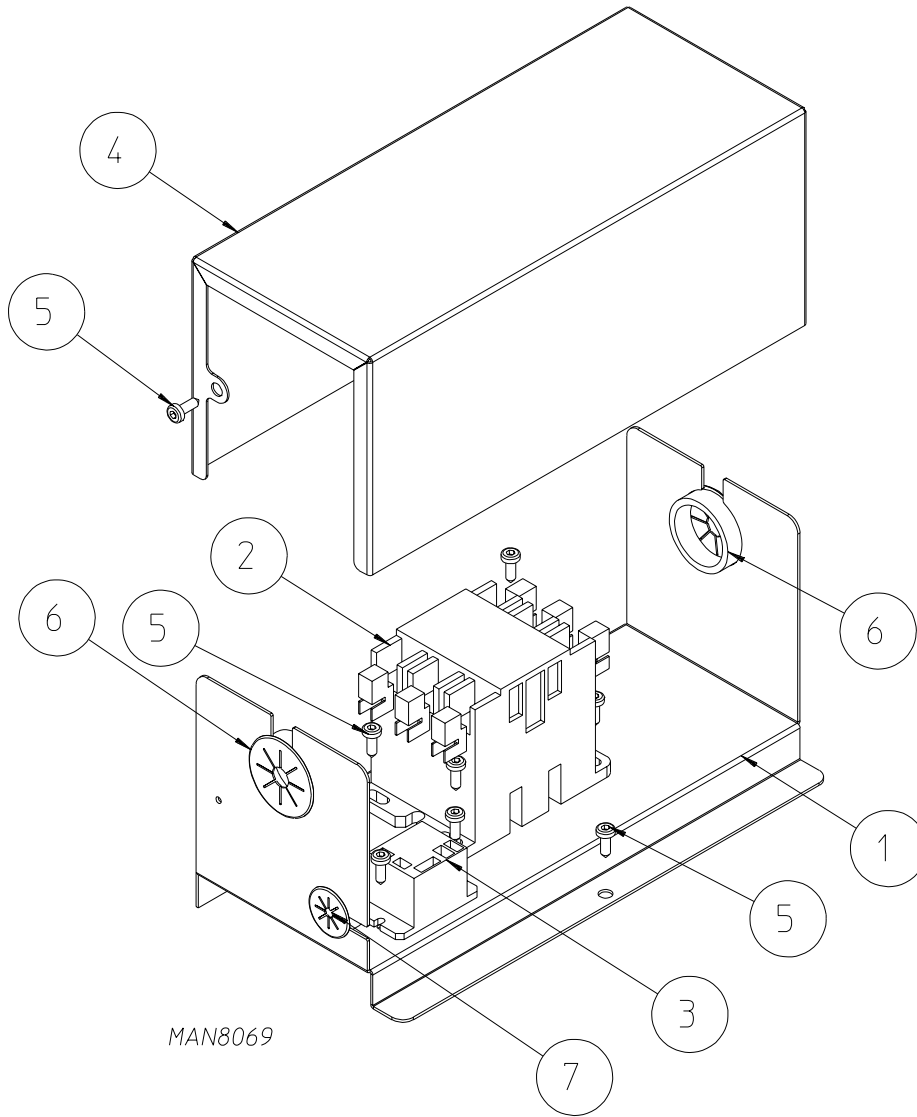
<u>Illus. No.</u>	<u>Part No.</u>	<u>Qty.</u>	<u>Description</u>
1	805018	1	Burner Box
2	154211	—	5/32" Buttonhead Rivet
3	150331	—	#8-18 x 1/2" Pan Head TORX® Screw
4	154200	7	5/32" Pop Rivet
5	116358	1	Burner Box Insulation
6	130201	1	330° F Manual Reset Thermostat
7	335468	1	Hi-Limit Bracket
8	805021	1	Preheat Top Conduit (includes illus. nos. 3, 6, and 7)
9	805020	1	Preheat Rear Conduit (includes illus. no. 10)
10	305235	1	Rear Conduit Access Cover



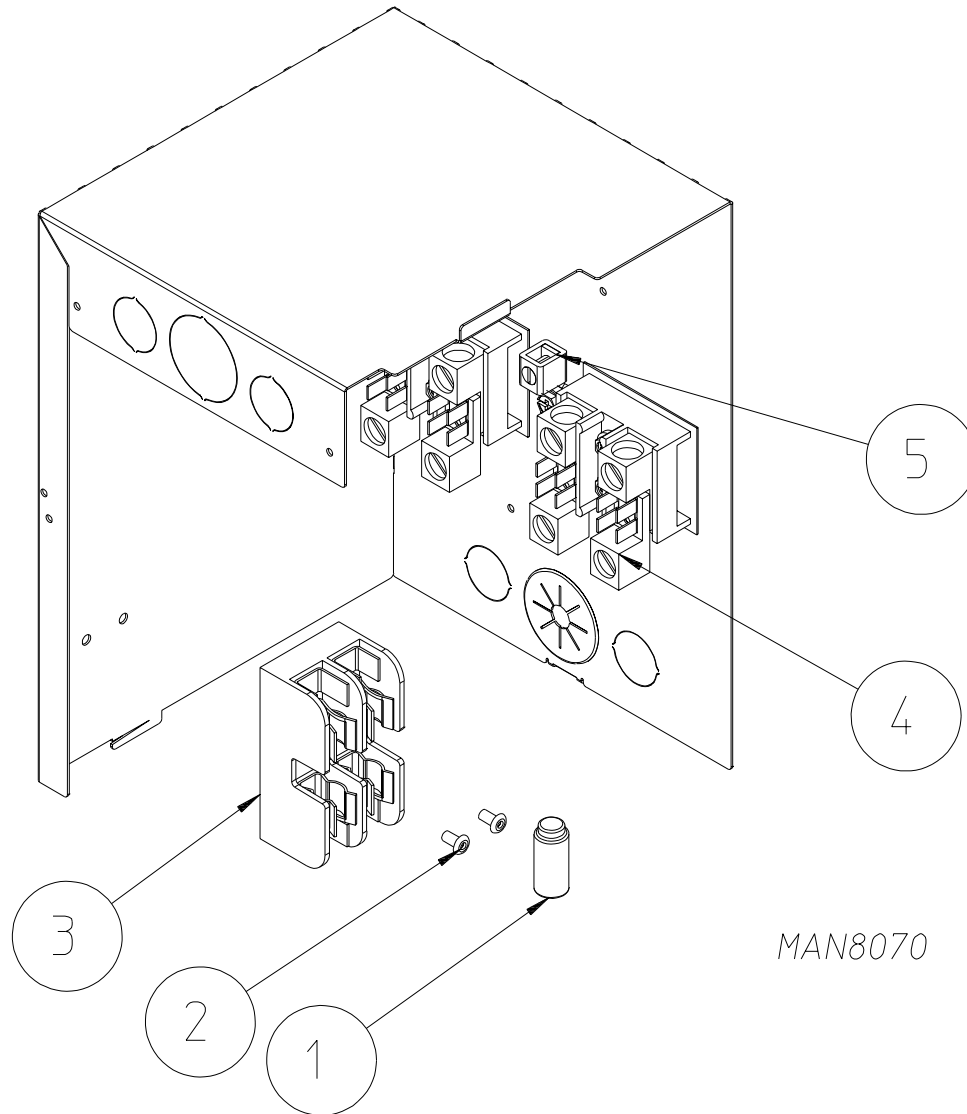
MAN8079

Illus. No.	Part No.	Qty.	Description
1	150331	8	#8-18 x 1/2" Pan Head TORX® Screw
2	305270	1	Electric Burner Box Cover
3	154211	—	5/32" Buttonhead Rivet
4	805103	1	Burner Box Assembly (includes illus. nos. 1 through 4 and 9)
5	805108	1	Preheat Top Conduit Assembly (includes illus. nos. 6 and 7)
6	335468	1	Hi-Limit Bracket
7	130301	1	225° Hi-Limit Thermostat
8	805101	1	Electric Oven Assembly (includes illus. no. 11)
9	116358	1	Burner Box Insulation
10	805104	1	Front Heat Deflector
11	119997	1	Electric Element

# Electric Oven Contactor Assembly



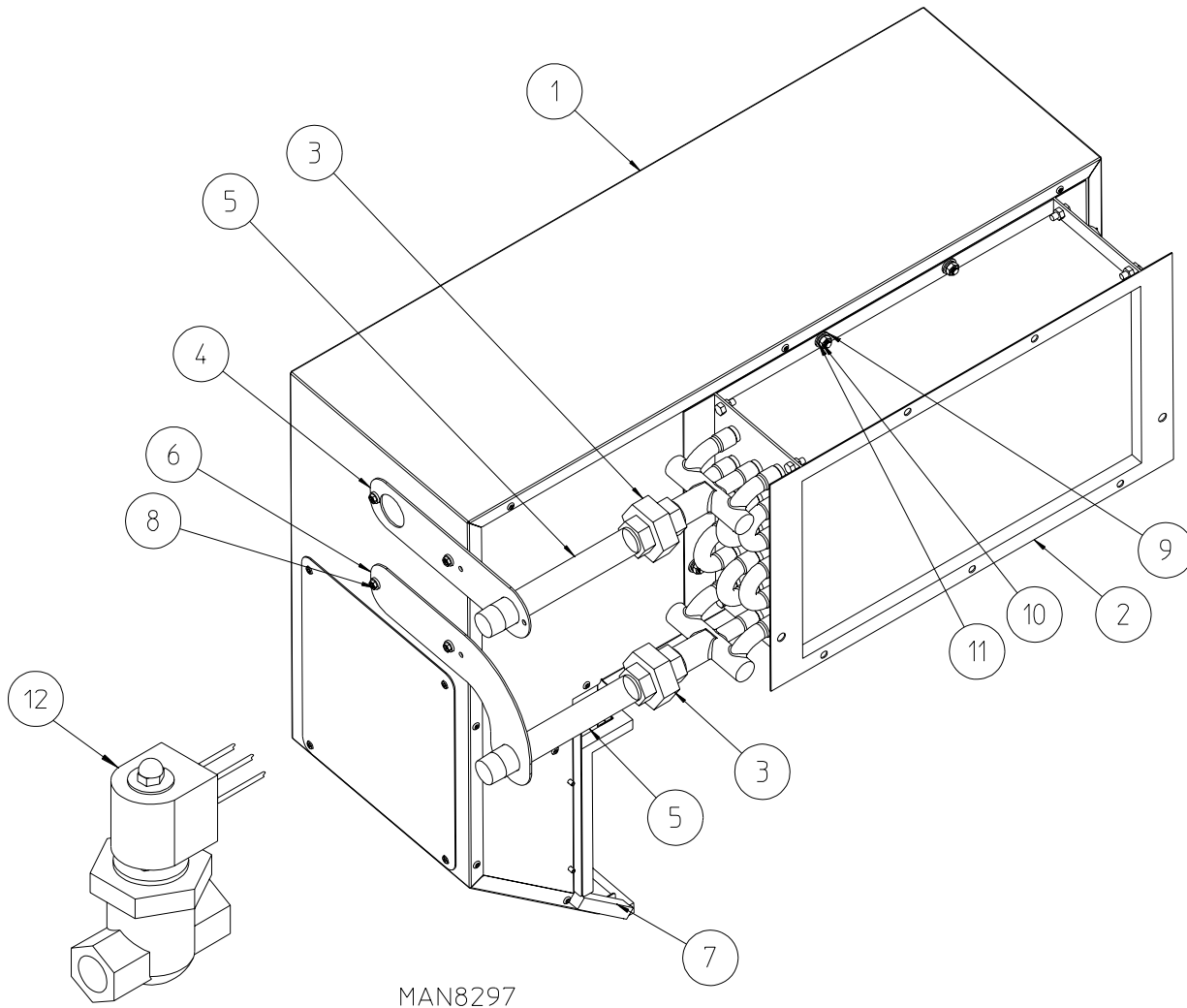
<u>Illus. No.</u>	<u>Part No.</u>	<u>Qty.</u>	<u>Description</u>
1	305273	1	Electric Heat Contactor and Relay Bracket
2	131379	1	TPST 40-amp Oven Contactor
	131378	1	TPST 65-amp Oven Contactor
3	131406	1	Relay SPDT 24VAC Panel Mount
4	305421	1	Electric Heat Contactor and Relay Cover
5	150331	8	#8-18 x 1/2" Pan Head TORX® Screw
6	121410	2	1-3/8" Universal Bushing
7	121400	1	7/8" Universal Bushing



MAN8070

<u>Illus. No.</u>	<u>Part No.</u>	<u>Qty.</u>	<u>Description</u>
1	136120	2	25-amp Time Delay Fuse
2	154200	2	5/32" Pop Rivet
3	136037	1	Class CC Fuse Block
4	120699	2	2-Pole Power Terminal Block
	120698	2	2-Pole Power Terminal Block Insulator
5	121010	1	L70 14-4 Terminal Lug

# Steam Coil Assembly

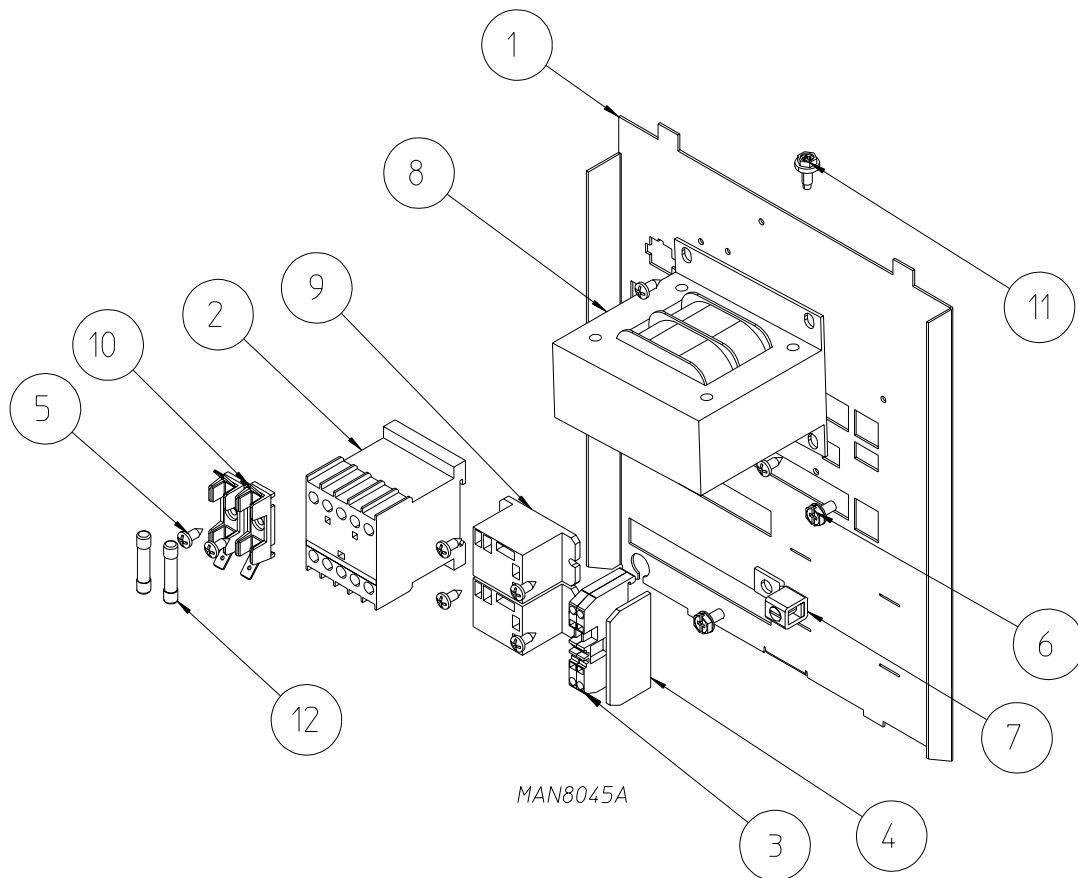


<u>Illus. No.</u>	<u>Part No.</u>	<u>Qty.</u>	<u>Description</u>
1	805982	1	Steam Plenum Assembly
2	165067	1	Steam Coil
3	142601	2	3/4" Union
4	317626	1	Outlet Pipe Bracket
5	142650	2	3/4" N.P.T. x 7-1/2" Long Black Iron Nipple
6	305456	1	Steam Pipe Bracket
7	117616	1	1/2" x 1/2" Semi-Closed Cell EPDM W PSA – 49"
8	150309	8	#10-16 x 1/2" Hex Head TEK Crimptite
9	153018	4	1/4" Flat Washer
10	152002	4	1/4-20 Hex Nut
11	153007	4	1/4" Split Lock Washer
12	817843	1	Steam Valve Assembly



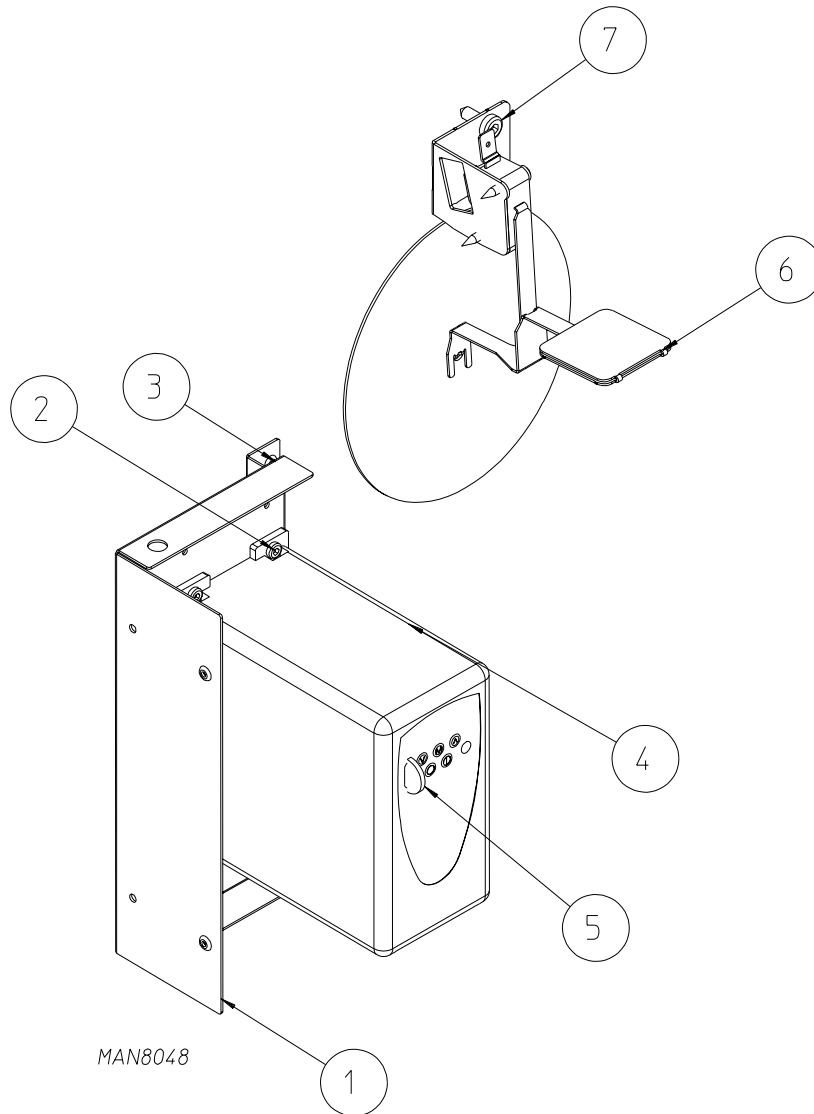
# Rear Electrical Panel Assembly

NOTE: Illustration may not be an exact representation of your machine.

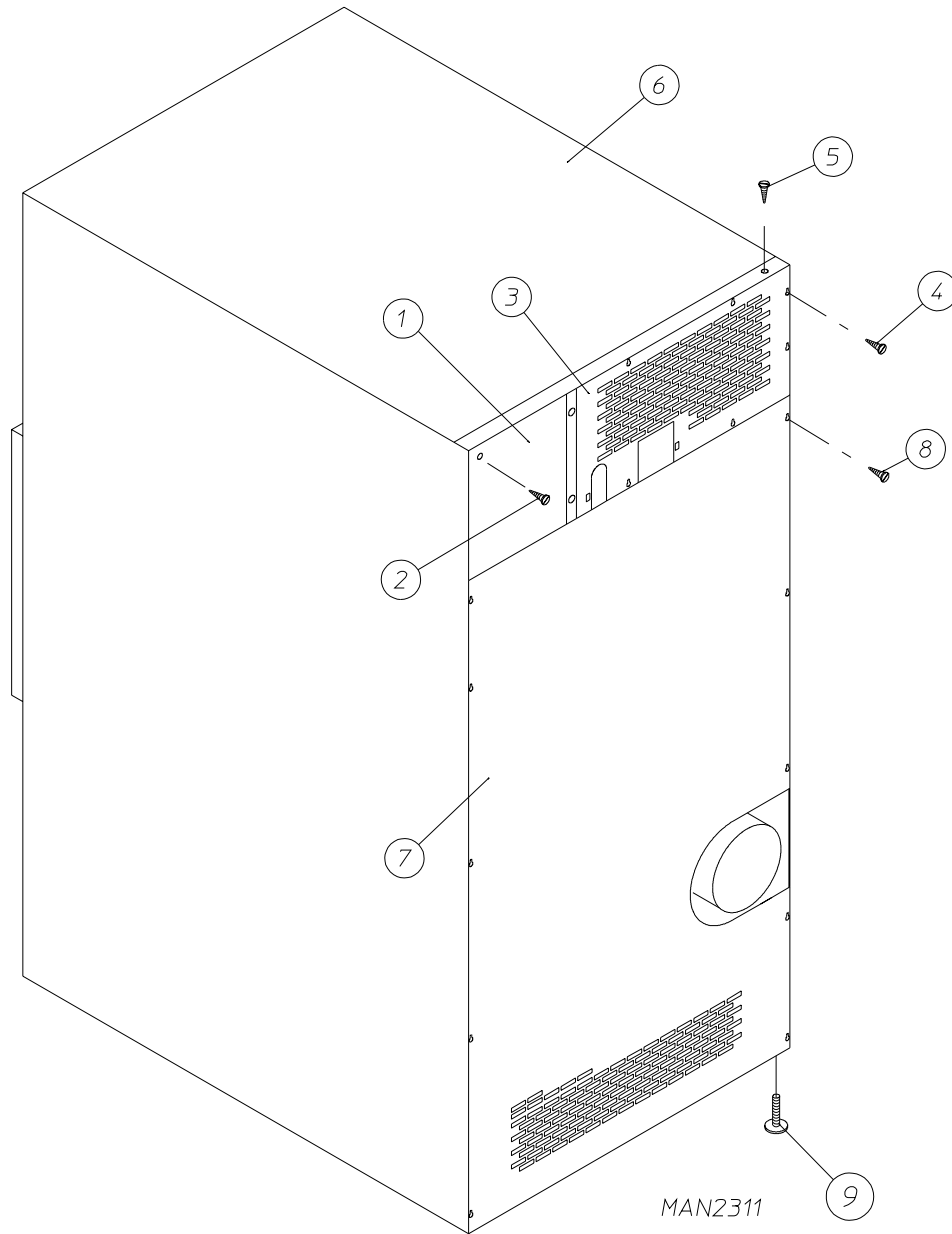


Illus. No.	Part No.	Qty.	Description
1	398301	1	Electrical Panel ONLY
	835965	1	120V 1 $\emptyset$ Electrical Panel with 1 VFD
	803385	1	208-240V 1 $\emptyset$ Electrical Panel with 1 VFD
	805644	1	208-240V 1 $\emptyset$ Electric Panel with 2 VFDs
	805581	1	208-240V 3 $\emptyset$ Electrical Panel with 1 VFD
	805676	1	208-240V 3 $\emptyset$ Electrical Panel with 2 VFDs
	805515	1	380-416V 3 $\emptyset$ Electrical Panel (electric heat only)
	805661	1	380-480V 3 $\emptyset$ Electrical Panel with 1 VFD
	2	131394	1
132498		1	2-Pole Contactor
3	120786	-	2 Cod. Thru Terminal Block
4	120787	1	End Plate
5	150301	-	#8-18 x 7/16" Phillips Pan Head TEK Screw
6	120910	2	Green Ground Screw
7	121010	1	L70 14-4 Terminal Lug
8	132109	1	120-240V Transformer
	132111	1	380-480V Transformer
9	131406	-	Relay SPDT 24 VAC Panel Mount
10	136008	-	Fuse Holder 120-416V
	136037	-	Fuse Holder 460-480V
11	150297	1	#10-16 x 0.5 Hex Washer TEK Screw (green)
12	136101	-	.8-amp Slo-Blo Fuse (for 120-416V machines)
	136114	-	1-amp Class C Fuse (for 460-480 volt machines)

# VFD and Sail Switch Assemblies



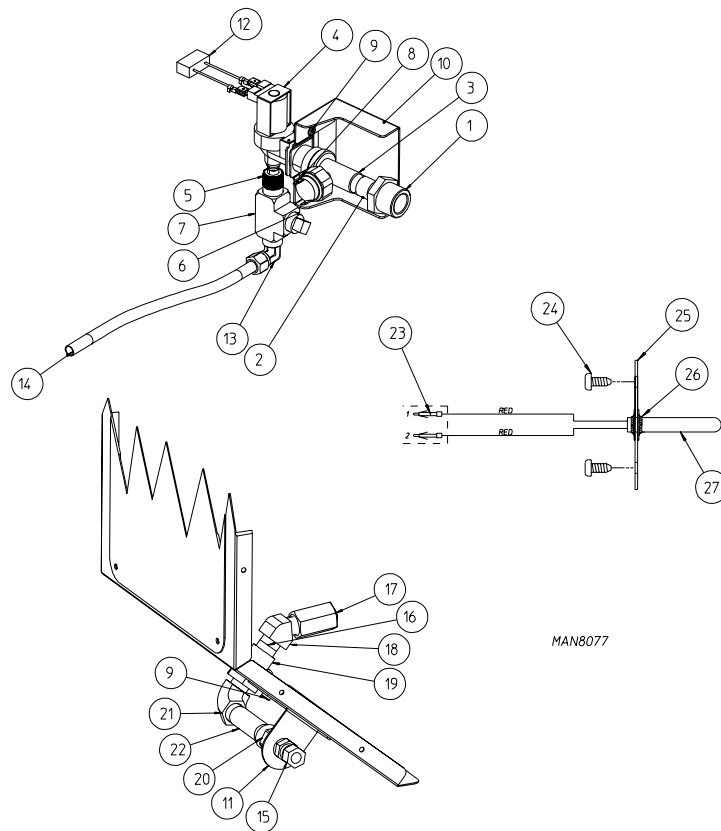
<u>Illus. No.</u>	<u>Part No.</u>	<u>Qty.</u>	<u>Description</u>
1	335438	1	VFD Mounting Bracket
2	150331	4	#8-18 x 1/2" Pan Head TORX® Screw
3	154200	4	5/32" Pop Rivet
4	884550	1	200-240 Volt 1ø and 3ø Variable Speed Drive (for models mfd. as of December 10, 2014)
	884549	1	120V Variable Speed Drive (for models mfd. as of December 10, 2014)
	884551	1	380-480 Volt Variable Speed Drive (for models mfd. as of December 10, 2014)
	115612	1	Keypad for M400 Inverter
	181175	–	200-240V Variable Speed Drive (for models mfd. prior to December 10, 2014)
	181150	–	120V Variable Speed Drive (for models mfd. prior to December 10, 2014)
5	884507	–	Logicstick (only used with inverters PN 181150 and 181175)
6	828238	1	Sail Switch Assembly
7	150331	2	#8-18 x 1/2" Pan Head TORX® Screw



Illus. No.	Part No.	Qty.	Description
1	355017	1	Back Electrical Box Cover
2	150331	4	#8-18 x 1/2" Pan Head TORX® Screw
3*	305249	1	Top Back Guard (gas models)
	305271	1	Top Back Guard (electric models)
	305457	1	Top Back Guard (steam models)
4	150331	5	#8-18 x 1/2" Pan Head TORX® Screw
5	150331	7	#10-16 x 1/2" Hex Washer TEK Screw
6*	805038	1	Outer Top
7	305248	1	Bottom Back Guard
8	150331	9	#8-18 x 1/2" Pan Head TORX® Screw
9	103500	4	Leveling Leg

\* There is no outer top or top back guard on steam models.

# Fire Suppression Assembly



Illus. No.	Part No.	Qty.	Description
1	143356	1	3/4" NH Male x 3/8" F.N.P.T. Brass Bushing
	143263	1	0.750 x 0.375 Brass Reducing Bushing (50 Hz models only)
2	143348	1	3/8" x 1-1/2" Brass Nipple
3	143182	1	0.75 x Ght 0.125 x 0.375 N.P.T. Brass Tee
4	165119	1	F.S.S. Water Inlet Valve
5	143183	1	0.4375-20 x 0.375 N.P.T. Brass Adapter
6	143251	1	0.375 MPT Brass Plug
7	143220	1	0.375 F.P.T. Brass Tee
8	136987	1	Water Jet Pressure Switch
9	150331	6	#8-18 x 1/2" Pan Head TORX® Screw
10	317180	1	F.S.S. S.A.F.E. Valve Bracket
11	317181	1	Nozzle Bracket
12	824081	1	R.C. Network Assembly
13	143320	1	0.375 Comp x 0.375 M.N.P.T. Brass Elbow
14	143099	9	0.375 Soft Copper Tubing 8.5"
15	143208	1	0.375 Comp x 0.375 M.P.T. Connector
16	143241	1	0.375 Close Brass Nipple
17	143581	1	Fire Suppression Nozzle
18	143301	2	0.375 Brass 45 Degree Street Elbow
19	143257	1	0.375 Bulkhead Adapter
20	184123	1	3/8" Brass Coupling
21	143155	1	0.375 Brass Street Elbow
22	143323	2	0.375" x 3" Brass Nipple
23	122712	2	Pins
24	150331	2	#8-18 x 1/2" TORX®
25	185428	1	Mounting Plate
26	154007	2	Fastener
27	819188	1	F.S.S. Probe Assembly (includes illus. nos. 23 through 27)

<u>Part No.</u>	<u>Description</u>
112280	"Clean Lint Screen" Label
114001	"CAUTION – Exhaust / Lint Screen" Label
114006	"WARNING – Fire Hazards" Label
120100	3/8" Straight (BX) Connector
120300	3/8" x 45° (BX) Connector
120400	3/8" Red Jacket (BX) Insulator
120500	3/8" Jiffy Clip (BX retainer clip)
120600	3/8" Greenfield (BX)
120707	(2-Position) Terminal Strip
120708	(3-Position) Terminal Strip
120800	1/4" In-Line Connector
120802	Red Butt Connector
120902	#74B Wire Nut
120903	Crimp-On Wire Nut
121014	1/4" Insulated (female) Terminal
121026	Tab Receptacle Combination
121499	5-1/2" Harness Tie
121500	8" Harness Tie
122804	Manometer (hydro gauge) for Measuring Gas Pressure
404502	White Brush-In-Cap Bottle Touch-Up Paint

